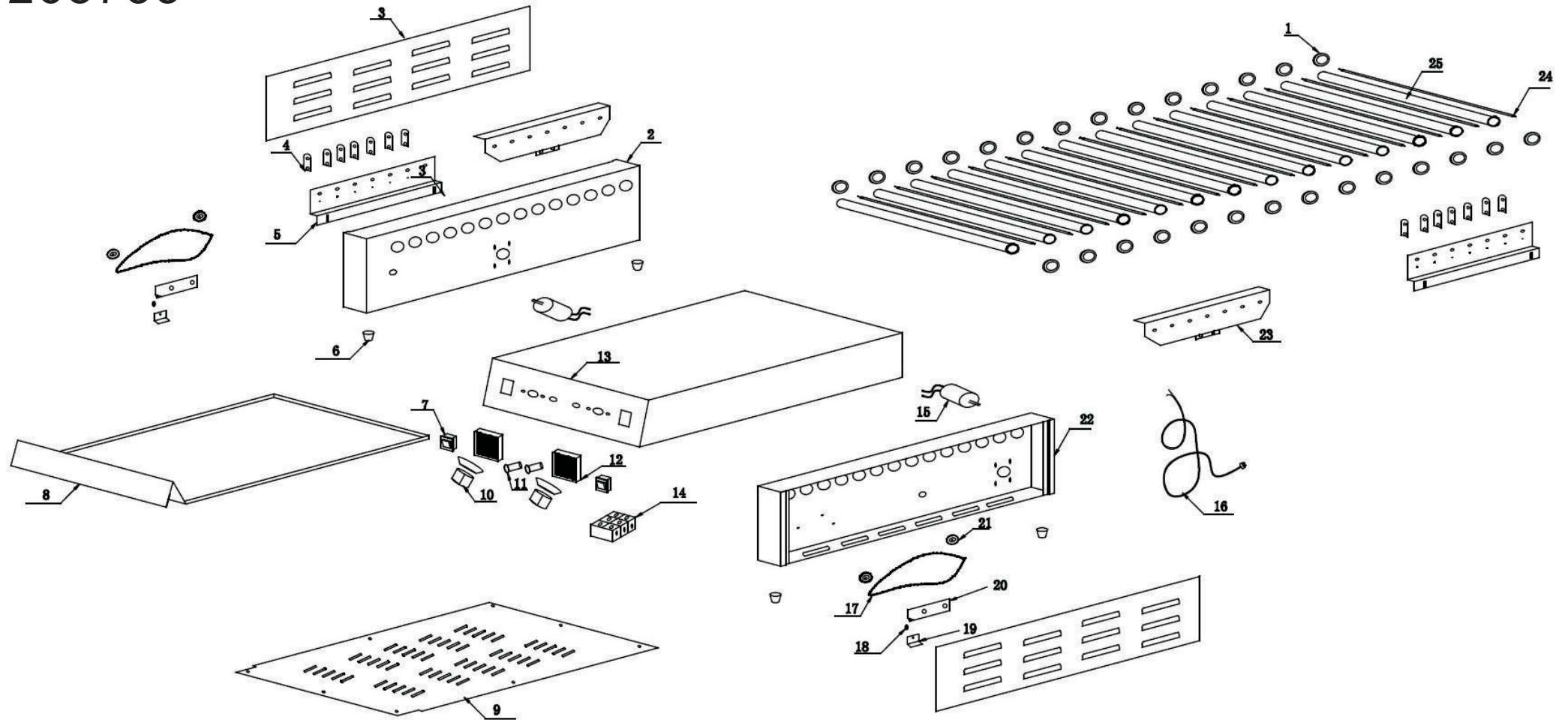


268735



| | | | | | |
|---|------------------|----|------------------|----|-----------------|
| 1 | plastic ring | 9 | bottom plate | 17 | chain |
| 2 | left housing | 10 | knob & ring | 18 | spring |
| 3 | left panel | 11 | indication lamp | 19 | spring bracket |
| 4 | connection plate | 12 | energy regulator | 20 | gear bracket |
| 5 | left bracket | 13 | main housing | 21 | washer |
| 6 | rubber feet | 14 | wire connector | 22 | right housing |
| 7 | rocker switch | 15 | motor | 23 | right bracket |
| 8 | dripping tray | 16 | power cord | 24 | heating element |
| | | | | 25 | roller |