

## ADJUSTABLE ELECTRIC HEATING MODULE

**MODEL: 430700**



Thank you for your purchase of a Stalgast product. Before use please familiarize yourself in detail with the following instruction manual.

Copying of the following manual without the consent of the manufacturer is prohibited.

Images and drawings are of illustrative character and may differ from the purchased product.

This manual should be kept in a safe place accessible for personnel. The manufacturer reserves the right to change the technical characteristics of the product without any notice.

## I. SAFETY INSTRUCTIONS

- Incorrect maintenance and/or use may cause serious harm to people and damage the device.
- The device can only be used for the purpose for which it has been designed.
- The manufacturer does not take any responsibility for damages caused by improper maintenance or use of the device.
- When in use, secure the device and its electrical plug from any contact with water or other fluids. In case the device is accidentally dropped into water the electrical plug should be immediately removed from the socket and the device should be inspected by a trained professional.

**Failure to obey these instructions may cause life threatening danger.**

- Never open the casing of the device on your own.
- Do not stick any objects into the casing of the device.
- Do not touch the electrical plug with wet hands.
- Check the condition of the electrical plug and cord regularly. In case any damage to the plug or cord is discovered order repair by a specialized service provider.
- In case the device is dropped or damaged otherwise, before further use always order a check-up and repair by a specialized service provider.
- Do not make any attempts to repair the device on your own – this may cause life threatening danger.
- Protect the electrical cord from contact with sharp or hot objects and keep it away from open fire. When you disconnect the device from the electrical socket always hold the plug and never pull the electrical cord.
- Secure the electrical cord (or the extension cord), so that it is not unplugged by mistake and so that no one can stumble over it.
- Monitor functioning of the device while in use.
- Use of the device by people underage, physically or mentally incapable, with motion disorders as well as people without proper experience and knowledge regarding the use of this device should not be allowed. All of the above should only use the device under supervision of a person responsible for their health and safety.
- When not used or during maintenance you should always unplug the device from the source of electricity by removing the electrical plug from the socket.
- ATTENTION: when the electrical plug is plugged into the socket the device is constantly live.
- Switch the device off before removing the plug from the socket.
- Never pull the device by the electrical cord.

## 2. WARNINGS

- Do not use any additional elements other than supplied with the device.
- High Voltage! Unplug the device before cleaning or maintenance
- Keep away from flammable materials.
- Check characteristics of the available source of power before plugging in.
- In case of damage, the power cord must be repaired by a technician at a specialized workshop.

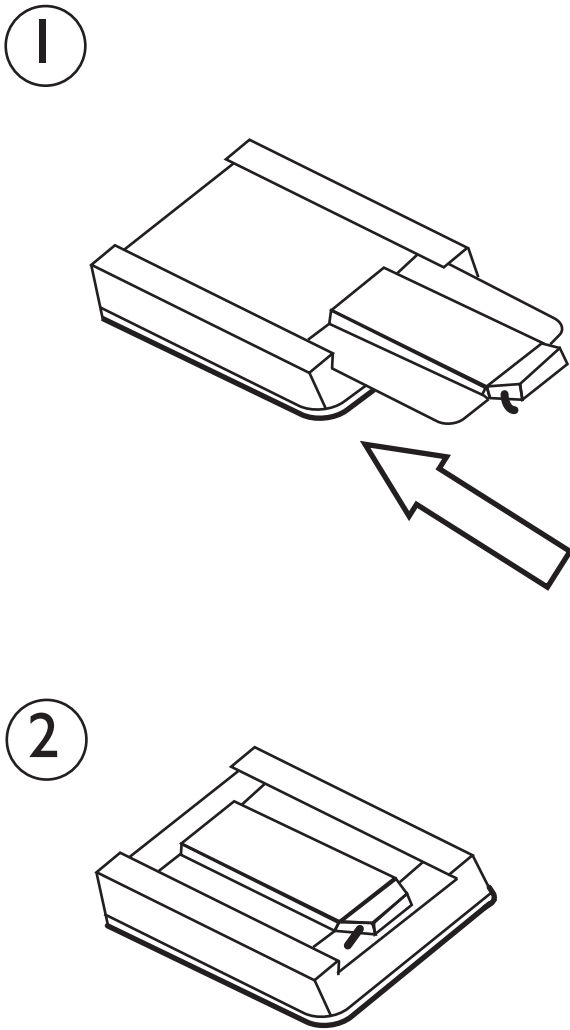


**ATTENTION: if the electrical plug is plugged into the socket the device is constantly live.**

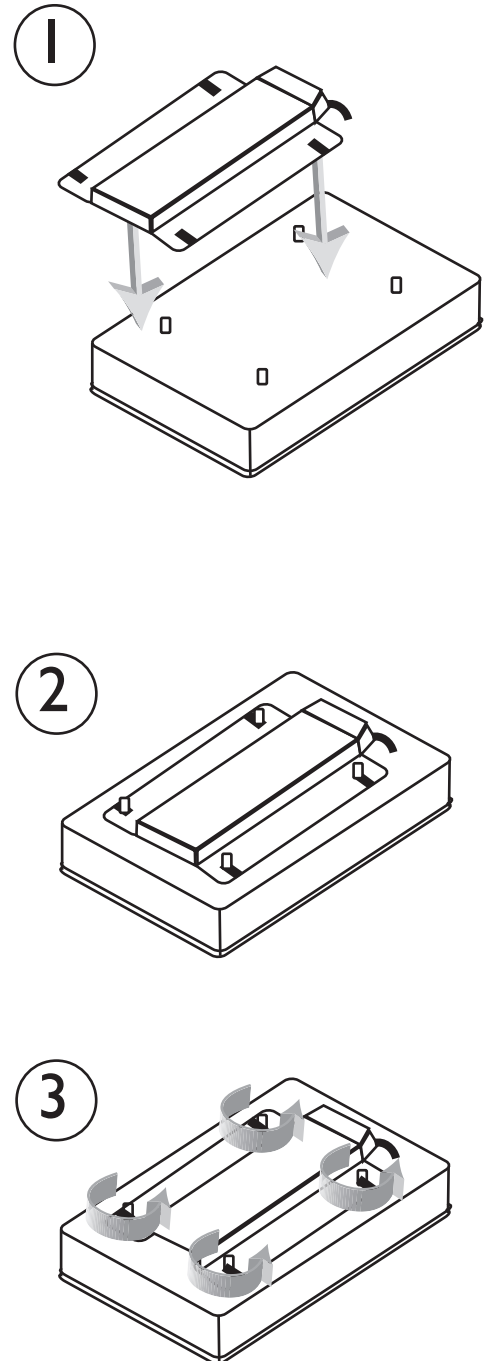
### 3. SETTING UP THE DEVICE

1. Type 1: take the water container off the holder and turn it upside down (step 1). Then slide the heating module into the right place (slides) (step 2).
2. Type 2: take the water container off the holder and turn it upside down (step 1). Step 2, place the heating module on the screws. Step 3, tighten the nuts on screws by hand (do not use tools).

#### TYP: 1



#### TYP: 2



## 4. OPERATING THE HEATER

4.1. Fill the container with hot water (50 to 60 C). Remember that the heating module cannot be immersed in water! Check the level of water. The heater cannot be used without water!

4.2. Install the cover

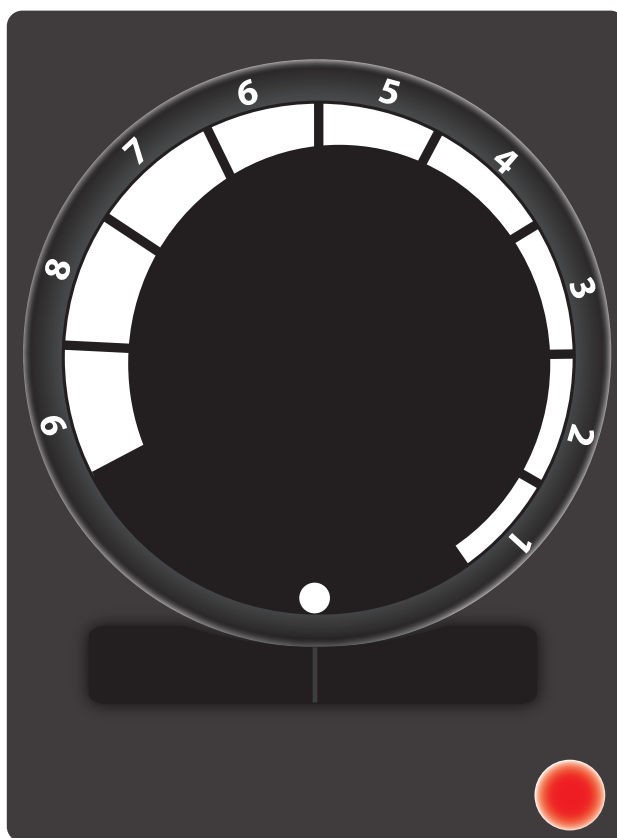
4.3. Connect the heating module to a source of electricity and wait 30 to 40 minutes for the heater to reach proper temperature.



**Attention! Never use a heating module without a heater.**

Adjustable heaters make it possible for the power to be limited as required. Level 9 = highest available power – Level 1 = lowest available power – level 0 = device is switched off.

Level indicated on the thermostat	Temperature
○	Off
1	45°C
2	88°C
3	115°C
4	188°C
5-9	230°C



## 5. CLEANING

1. Disconnect the power cord from the source of electricity
2. Wait for the heating module to cool down
3. Remove the heating module from the heater
4. Clean with a damp cloth



**Attention! Do not submerge the heater under water or clean it under running water.**

## 6. TROUBLESHOOTING

MALFUNCTIONS	CAUSES	SOLUTIONS
Food items are cooling down and the food is not heated	Water container was filled with cold water	Fill the container with hot water
	The heater was not warmed up before food was placed in the container	Warm-up the device for 30-40 minutes before use
	The heater was not installed properly	Check if the heater was installed properly
	The thermostat was set incorrectly	Adjust power
Significant loss of heat	The lid is open	Check and close the lid if necessary

## 7. TECHNICAL SPECIFICATION

Model	POWER SOURCE (V)	FREQUENCY (Hz)	TOTAL GENERATED POWER (W)	DIMENSIONS (mm)
430700	230	50	700	250x200

## 8. END-OF-SERVICE LIFE RECYCLING

After the device reached its end-of-service life or when buying new equipment at Stalgast you can return the old device. Send it to us and a specialized company will recycle it in accordance with the ESOL for Electrical and Electronic Equipment Act (Legal Journal 2005 no. 180 point 1495).

## 9. WARRANTY

The seller provides warranty for the product.

Any damage resulting from settlement of calcium on the device is not covered by the warranty.

Such elements as light bulbs, rubber elements, heating elements damaged by limescale, screws and elements which naturally wear down such as heaters, gaskets, and any other elements damaged mechanically are not covered by the warranty.