



GRAFEN
FUTURE EQUIPMENT

USER MANUAL
INSTRUKCJA OBSŁUGI

COMBI STEAM OVENS PIECE KONWEKCYJNO- -PAROWE



Kod: 223819
223130
223116
223093
223734
223802
223123
223109
223086
223727

You should read this user manual carefully before using the appliance

Przed uruchomieniem urządzenia należy koniecznie dokładnie przeczytać niniejszą instrukcję obsługi



Keep this manual with the appliance.
Zachowaj instrukcję urządzenia.



For indoor use only.
Do użytku wewnątrz pomieszczeń.



CONTENTS

1. SAFETY REGULATIONS	4
2. PRELIMINARY OPERATIONS	6
3. INSTALLATION AREA	6
4. PREPARING FOR INSTALLATION	7
5. ELECTRICAL CONNECTION	7
6. WATER CONNECTION	10
7. DRAINAGE CONNECTION	11
8. STACKING OVENS	11
9. SPECIFICATION	12

INSTRUCTIONS FOR THE USER

1. WARNING	13
2. USING FOR THE FIRST TIME	14
3. ORDINARY MAINTENANCE	15
4. EXTRAORDINARY MAINTENANCE	16
5. MAINTENANCE IN CASE OF BREAKAGE	17
6. COOKING ADVICE	18
7. MECHANICAL OVEN CONTROL PANEL	19
8. DIGITAL OVEN CONTROL PANEL	20
9. TECHNICAL DATA	23



NOTE: all devices that require a steady connection to water mains (including this device) must be connected to a water softener which removes calcium and magnesium compounds from the water. The water softener must be used in line with the manufacturer's recommendations included in instruction manual.

If a water softener is not connected or is user and/or regenerated incorrectly, the dealer shall not recognise any complaints related to repairs due to lime scale build-up in the device.

The following products are recommended to assure proper regeneration:

Salt tablets, 25 kg bag - code: 231265

Water hardness

German degrees (°dH)	French degrees (°fH)	mmol/l	Clark degrees	Water softener connection
over 24	over 40	over 4,2	over 28	Required
18 - 24	32 - 40	3,2 - 4,2	22 - 28	Required
12 - 18	19 - 32	2,1 - 3,2	13 - 22	Required
4 - 12	7 - 19	0,7 - 2,1	5 - 13	Required
under 4	under 7	under 0,7	under 5	Not required



Dear Customer,

Thank you for purchasing this GRAFEN appliance. Before using the appliance for the first time, please read this manual carefully, paying particular attention to the safety regulations outlined below.

1. SAFETY REGULATIONS

- This appliance is intended for commercial use only and must not be used for household use.
- The appliance must only be used for the purpose for which it was intended and designed. The manufacturer is not liable for any damage caused by incorrect operation and improper use.
- Keep the appliance and electrical plug away from water and any other liquids. In the event that the appliance should fall into water, immediately remove plug from the socket and do not use until the appliance has been checked by a certified technician. Failure to follow these instructions could cause a risk to lives.
- Never attempt to open the casing of the appliance yourself.
- Do not insert any objects in the casing of the appliance.
- Do not touch the plug with wet or damp hands.
- **Danger of electric shock!** Do not attempt to repair the appliance yourself. In case of malfunctions, repairs are to be conducted by qualified personnel only.
- **Never use a damaged appliance!** Disconnect the appliance from the electrical outlet and contact the retailer if it is damaged.
- **Warning!** Do not immerse the electrical parts of the appliance in water or other liquids. Never hold the appliance under running water.
- Regularly check the power plug and cord for any damage. If the power plug or power cord is damaged, it must be replaced by a service agent or similarly qualified persons in order to avoid danger or injury.
- Make sure the cord does not come in contact with sharp or hot objects and keep it away from open fire. To pull the plug out of the socket, always pull on the plug and not on the cord.
- Ensure that the cord (or extension cord) is positioned so that it will not cause a trip hazard.
- Always keep an eye on the appliance when in use.
- **Warning!** As long as the plug is in the socket the appliance is connected to the power source.
- Turn off the appliance before pulling the plug out of the socket.
- Never carry the appliance by the cord.

- Do not use any extra devices that are not supplied along with the appliance.
- Only connect the appliance to an electrical outlet with the voltage and frequency mentioned on the appliance label.
- Connect the power plug to an easily accessible electrical outlet so that in case of emergency the appliance can be unplugged immediately. To completely switch off the appliance pull the power plug out of the electrical outlet.
- Always turn the appliance off before disconnecting the plug.
- Never use accessories other than those recommended by the manufacturer. Failure to do so could pose a safety risk to the user and could damage the appliance. Only use original parts and accessories.
- This appliance is not intended for use by persons (including children) with reduced physical, sensory or mental capabilities, or lack of experience and knowledge.
- This appliance must not be used by children under any circumstances.
- Keep the appliance and its cord out of reach of children.
- Always disconnect the appliance from the mains if it is left unattended or is not in use, and before assembly, disassembly or cleaning.
- Never leave the appliance unattended during use.

1.1 SPECIAL SAFETY REGULATIONS

EN

- Read this instructions booklet carefully before starting the installation and start-up operations.
- **All installation, assembly, assistance and extraordinary maintenance shall be carried out by qualified personnel and supplied with necessary professional (authorizations by the manufacturer or retailer), in accordance with local laws in effect where installation takes place regarding product and workplace safety.**
- Incorrect installation, assistance, maintenance, cleaning, tampering or modifications can cause malfunction, damage and breakage.
- The appliance must only be used for cooking or heating of foods in industrial kitchens. Any other use is inappropriate and dangerous.



1.2 WARRANTY

Any defect affecting the functionality of the appliance which becomes apparent within one year after purchase will be repaired by free repair or replacement provided the appliance has been used and maintained in accordance with the instructions and has not been abused or misused in any way. Your statutory rights are not affected. If the appliance is claimed under warranty, state where and

when it was purchased and include proof of purchase (e.g. receipt).

In line with our policy of continuous product development we reserve the right to change the product, packaging and documentation specifications without notice.

1.3 DISCARDING & ENVIRONMENT

At the end of the life of the appliance, please dispose of the appliance according to the regulations and guidelines applicable at the time.

Throw packing materials like plastic and boxes in the appropriate containers.

2. PRELIMINARY OPERATIONS

Once unpacked, ensure the oven is intact and does not show signs of damage due to transport. A damaged appliance must never be installed and commissioned; if in doubt, immediately contact the after-sales technical assistance or your own dealer. In the case of damage or missing parts inform the

carrier and retailer/manufacturer immediately, indicating **the code (Art.) and serial number (Ser N°)** and attach a photo.

Check that the installation area is kept clear so that doors, corridors and passageways are accessible.

3. INSTALLATION AREA

The appliance shall be installed in enclosed and well ventilated areas (not outdoors).

The ambient temperature of the place of installation of the oven must be higher than +4°C.

Before positioning the appliance, check the overall dimensions and the exact position of the electrical, water and fumes exhaust connections, fumes exhaust.

It is advised to place the oven under an extractor hood or in such a way that hot fumes and odours exit the oven via adequate ventilation to the outside. The oven must be placed on a flat surface so that it does not slip or turn over.

The installation area must be able to support the weight of the appliance filled to the maximum.

See the information level on the back of the oven for the gross weight.

Make sure that it is placed so that the door may be

fully opened.

Position it so that the back of the oven is easily accessible for maintenance, connection to the mains sockets, and water.

The appliance is not meant to be fitted and a 5 cm space must be left all round it.

Do not position other heat sources like, fryers or hotplates, near the oven. If this is not possible at least respect the following distances from machinery: 50 cm from the sides and above the appliance and 70 cm from behind.

Do not place the device near materials or containers of inflammable liquids (such as walls, furniture, screens, gas canisters) as it can be a fire hazard. If this is not possible, cover the inflammable parts with fire and heatproof material and by checking fire hazard regulations.

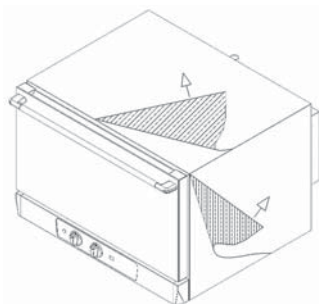
4. PREPARING FOR INSTALLATION

Remove the outer packaging (wooden caging and/or carton box) and dispose of it in compliance with the laws in force in the country of installation.

REMOVING PROTECTIVE FILM ETC.

All packaging must be fully removed, including the protective film applied on the external and internal walls.

Remove all information covering from the inside, and take off all plastic packaging.



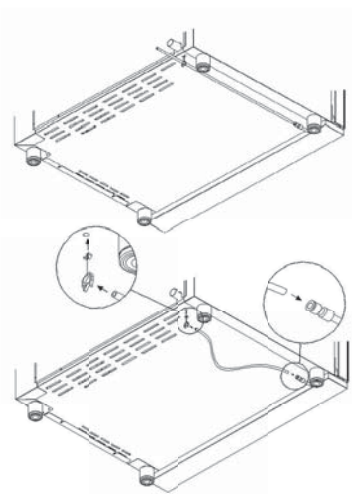
STAND ADJUSTMENT

Do not use the appliance without feet.

The adjustable feet are already screwed to the underside of the oven.

If they are not used, this prevents airflow from cooling the electric parts and outsides of the oven which causes over-heating and damage to components.

The oven will function correctly if placed level on a flat surface by adjusting the feet accordingly and using a spirit level. Screw or unscrew them as necessary to adjust.



FITTING THE DRIP TRAY DRAIN

Fit the plastic clip and the white water pipe that is inside the packaging. Check that the pipe is firmly connected so that water can flow from the tray to the drain (see image).

5. ELECTRICAL CONNECTION

WARNING: Main connections must be carried out by a qualified and authorized technician according to national, international and local laws in the country where it is installed. Before mains connection, ensure that the frequency (...V) and voltage (...Hz) meet the requirements indicated in the information tag on the back of the appliance.

The electric system, as prescribed and specified by the Standard in force, must be equipped with an efficient ground. It is possible to guarantee the

electric safety of the appliance only in the presence of Standard electric system.

For direct connection to the mains, it is necessary to interpose a device between the equipment and the same mains, sized for the load, that ensure its disconnection. The contacts must have an opening distance enabling the full disconnection, in conditions of over-voltage category III, per compliance with installation regulations.

This device also must be located in a place and in a manner to be easily accessible at any moment by the operator.



5.1 CONNECTING THE CABLE

Loosen the screws fixing the left side of the oven and extract it.

The oven must be connected to the electricity with a rubber cable such as H07RN-F.

WARNING: the yellow/green voltage wires in the earth cable must be 3 cm longer than the others.

The appliance has terminal strips such as those in the diagram. To connect to the electricity, see the label in the manual and stuck to the bottom of the back of the device beside the information plate.

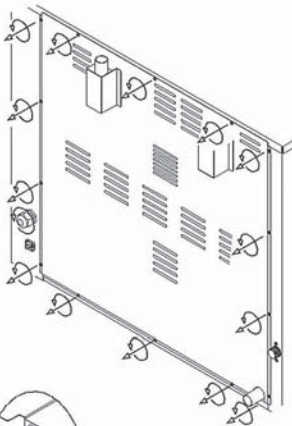


The appliance has terminal strips such as those in the diagram. To connect to the electricity, see the label in the manual and stuck to the bottom of the back of the device beside the information plate.

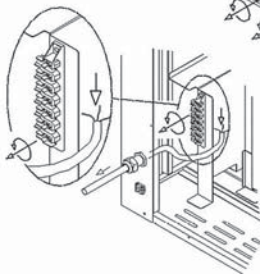
Proceed as follows to connect the power supply wire to the terminal board:

- [A1] Loosen the tops of the cable gland and open the bottom part of the back of the appliance by loosening the screws.
- [A2] Feed the new cable through the cable gland. Connect the cable voltage to the terminal strips following the connection diagram on the label on the back of the appliance. Only connect what is indicated inserting the copper bridge and the electricity cable together under the screws, in the tightening direction, so the cable and the bridge are tightly fixed by tightening the screw. The type of cable to be used (H07RN-F) is indicated on the label for each connection and the voltage sections in mm².
- [A4] Close the bottom part of the back of the appliance by tightening the screws and fit the cable by tightening the cable gland top.

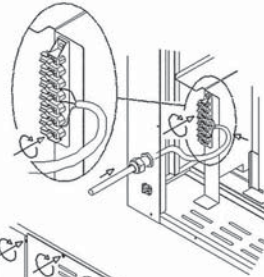
A1



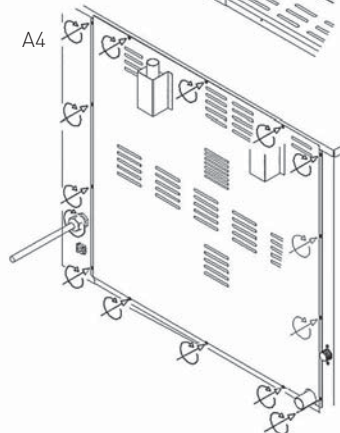
A3

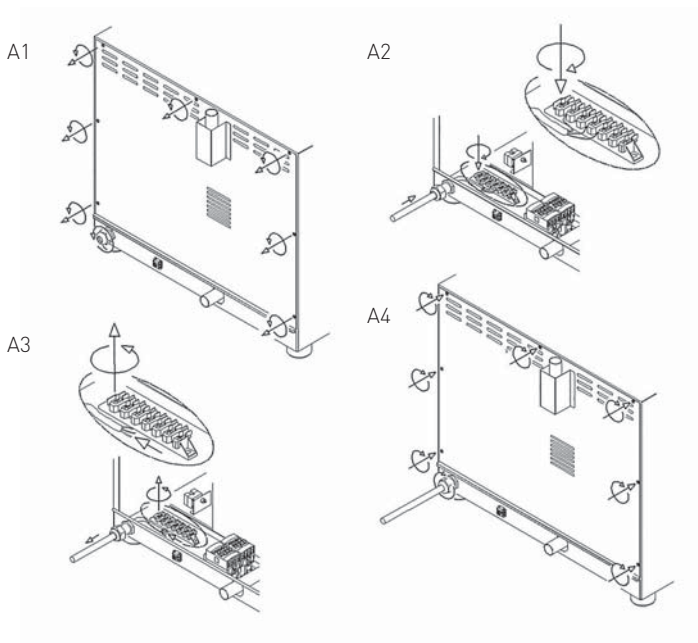


A2



A4





Erroneous connection could lead to overheating of the terminal board which could lead to blowout and electric shock.

Check that all the connections are tight before connecting the oven to the mains.

E = Yellow/Green: "EARTH" protection conductor.

N = Blue: neutral conductor.

L1, L2, L3 = Brown, Grey, Black: live conductors

Check there is no static discharge between live and earth. Check the limit switch continuity between the external casing and the earth wire of the mains. It is advised to use a multi tester to carry out these operations.

5.2 CABLE SUBSTITUTION

This must be carried out by a qualified authorized technician. The earth wire must always be yellow green.

WARNING: the yellow/green voltage wires in the earth cable must be 3 cm longer than the others.

Proceed as follows to connect the power supply wire to the terminal board:

- (A1) Loosen the tops of the cable gland and open the side part of the appliance by loosening the screws.
- (A2) Feed the new cable through the cable gland. Connect the new cable's conductors to the terminal following the connection diagram on the label at the lower part of the back of the appliance. Only connect what is indicated inserting the copper bridge and the electricity cable together under the screws, in the tightening direction, so the cable and the bridge are tightly fixed by tightening the screw. The type of cable to be used (H07RN-F) is indicated on the label for each connection and the voltage sections in mm².
- (A3) Loosen the terminal screws and feed the cable conductors through. Take out the old cable from the cable gland.
- (A4) Close the side part of the appliance by tightening the screws and fit the cable by tightening the cable gland top.



Check that all the connections are tight before connecting the oven to the mains.


WARNING: Erroneous connection could lead to overheating of the terminal board which could lead to blowout and electric shock.

Check there is no static discharge between live and

earth. Check the limit switch continuity between the external casing and the earth wire of the mains. It is advised to use a multi tester to carry out these operations

The appliance must be connected to the mains using a H07RN-F cable.

5.3 EQUIPOTENTIAL CONNECTION

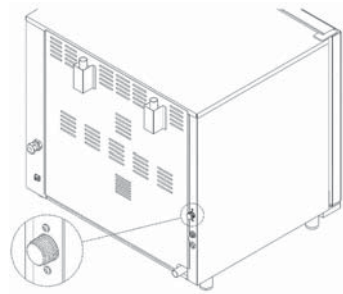
This connection shall be carried between the different appliances with the terminal marked by the symbol: .

This terminal enables the connection of Yellow/Green cable with a section between 2.5 and 10 mm². The appliance shall be included in an equipotential system whose efficiency shall be duly verified according to the provisions of the laws in force.

6. WATER CONNECTION

Make sure the device is placed near a water connection. Before connecting the device, allow enough water through to remove any remnants in the piping so that they did not get into the magnetic valves. It is necessary to install a shut-off valve and mechanical filter between the plumbing and the device.

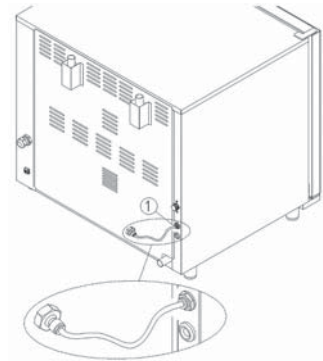
On the back of the device, in the area marked with a label, the convection oven has an input G 3/4" with a filter. The inflowing water shall have a pressure value comprised between 150 (1,5 bar) and 200 kPa (2 bar) and a maximum temperature of 30°C. If the inflow pressure value exceeds 200 kPa (2 bar), a pressure reducer will have to be installed, calibrated at 200 kPa (2 bar).



6.1 WASHING WATER CONNECTION

A shut-off valve and a mechanical filter must be placed between the mains water supply and the oven. The rear of the oven has a G 3/4" inlet with pipe.

ATTENTION: Before connecting the appliance to the mains water supply, rinse with water to eliminate any residue. To guarantee proper operation of the cleaning system, the mains water supply pressure must be a minimum of 200 kPa (2 bar) and the temperature must not exceed 30°C. Lower water pressure values may prevent the cleaning system from working properly.



6.2 WATER TREATMENT

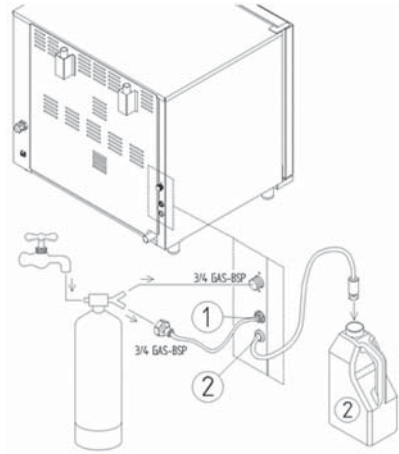
In order to ensure trouble-free operation of the device, the water should have a hardness of maximum 5°dH to prevent lime deposits. For higher values a **water softening** station should be installed first.

DETERGENT CONNECTION

Insert the pick up pipe into the detergent tank.

1 = WASHING water inlet

2 = CLEANING detergent inlet



7. DRAINAGE CONNECTION

Water flowing out from the oven drainage system may reach high temperatures (90°). The pipes used for discharging the water must be capable of bearing such temperatures.

The discharge water pipe is located in the lower rear part of the back of the oven and it should be connected using a rigid or flexible pipe and conveyed to an open or trapped drainage; its diameter shall not be smaller than that of the drainage connection of the oven. It is advisable to insert a suitable syphon between the oven and the drain, so as

to stop emission of unpleasant odours and fumes from the oven and drains.

Avoid narrowing the flexible pipes and elbow joints on rigid pipes along the entire drainage system meter.

The oven must have its own drainage connection. If there are other appliance or tools connected to the one pipe, check that their size allows proper drainage without blockage.

The local regulations and standards must be followed.

7.1 FUMES DISCHARGE

Hot fumes and odours are emitted from the cooking chamber during cooking. This is located at the top part of the back of the oven. Do not place objects on the discharge so as not to hinder the outflow of the fumes and hence avoid causing damage

thereto. It is advisable to position the oven under a suctioning or ensure adequate ventilation to outside for hot fumes and odours through a pipe no smaller than the oven drainage. Avoid bends and blockages.

8. STACKING OVENS

Stacking several ovens requires the use of the special kit which keeps the correct distance between the two ovens.

EN



9. INFORMATION PLATE



HENDI Polska, ul. Magazynowa 5, 62-023 Gądkki, tel.: +48 61 658 70 00, www.grafen.com

Piec konwekcyjno-parowy 5x GN 2/3 elektryczny – sterowanie manualne

Kod: 223819	Termostat: +30 do +260° C	
Ciś. robocze: 2 bar	Waga: 64 kg	Moc: 5,4 kW
Rok prod.:	Napięcie: 400 V-, 3 N, 50-60 Hz	
Numer seryjny:		



Art./Model:	model according to customer classification
Ref.	model according to internal manufacturer's classification
Ser. N°	identification number, different for each product
TYPE:	product model according to its technical properties
Information:	IPX protection level against water sprays / kPa... inflow water pressure / production year
Power consumption:	appliance nominal power kW
Mains supply:	TERMINAL CONNECTION TYPE: device tension in V, number of phases and neutrals (3N = 3 phases more neutral).
Supply frequency:	appliance frequency in Hz.
Weight:	appliance weight

EN



INSTRUCTIONS FOR THE USER

1. WARNING

- **Carefully read the following booklet as it provides safety and use instructions for the device. Carefully store it for future reference.**
- **Incorrect installation, assistance, maintenance, use, cleaning, tampering with, or modifications can cause malfunctions, damage, and injuries.**
- **That described above can affect the safety of the appliance and may render the warranty null and void.**
- The appliance has been designed to cook food in closed premises and must only be used for this purpose: any other use must, therefore, be avoided as considered improper and dangerous.
- The oven must only be used by staff adequately trained for its use.
- To avoid the risk of accidents or damages to the appliance, it is also fundamental that staff regularly receive precise instructions regarding safety.
- The appliance is not suitable for use by people with low physical or mental abilities or lacking experience, unless instructed regarding the operation of the oven by the personnel in charge of safety their safety.
- Do not leave the appliance unattended in presence of children and ensure that the latter do not have access to the appliance.
- Do not under any circumstance, leave flammable material near a appliance: it can be a fire hazard.
- Food container temperatures, accessories or other objects can be very hot; beware of burns when moving them. Only touch them with relevant thermal protection.
- Careful while opening the oven door: danger of scalding due to high temperature emissions.
- The oven is provided with a safety system which automatically disables the operation of the resistances, fans and vapour supply upon opening the door.
- When cooking using core probe, be especially careful while taking out baking trays from the oven: ensure that they are taken out away from cooking food and that they do not block anything.
- Do not put flammable or alcohol based foods in the oven as they can cause combustion and explosions.
- Avoid putting salt on food inside the cooking chamber of the oven. If this cannot be avoided, ensure that it is cleaned as soon as possible as it can cause damage to the cooking chamber.



- Use fingers to regulate the digital panel options; any other object may damage the oven hence nullify the validity of the warranty.
- Installation, extraordinary maintenance and repair operations on the equipment must only be carried out by professionally qualified staff.



- **Caution! The outside parts of the oven can exceed a temperature of 60°C, therefore in order to avoid burning it is advised not to touch the external parts marked by the symbol shown here.**
- **Damage or breakage of door glass components must be substituted immediately (contact the Assistance Centre).**
- **If it is not in use for long periods of time (many days) it is advisable to turn it off at the mains and disconnect it from the water supply.**
- **The producer shall not be deemed liable for any damage incurred by persons or properties, caused by non compliance with the aforementioned instructions of deriving from tampering with even a single part of the appliance and use of non-genuine spare parts.**
- **This appliance complies with the EU directives in force.**

EN

2. USING FOR THE FIRST TIME



Ensure that the baking tray holders inside the cooking chamber are well fitted to the walls. Otherwise the baking trays containing food or hot liquids could fall resulting in scalding.

2.1 TESTING

The oven should be tested by carrying out a trial cooking session to check that the appliance is working properly and that there are no problems or malfunctioning. Set the temperature controller at 150° C and the timer to 10 minutes. Check every item in the list below:

- The coking chamber light is ON.
- The oven stops (heating, humidification, motors/ fans) when the door is opened and resumes operating when the door is closed again.
- On reaching the set temperature, the cooking temperature thermostat turns off the heating elements.
- The fans automatically invert the direction of rotation; the inversion occurs every 2 minutes. Humidification turns off briefly for 20 seconds when the machine is stopped.
- The cooking chamber fans spin in the same direction.
- If the oven is equipped with a humidity controller, after using knob to activate it, check that water is being discharged to the fan from the humidity inlet duct in the oven chamber



2.2 FIRST CLEANING OF THE COOKING CHAMBER OF THE OVEN

Disconnect electrical power from the appliance and wait until the oven is cooled completely before cleaning.

There should never be any residue of solvents or detergents. They should be removed by rinsing thoroughly using a damp cloth. Appropriate eye, mouth and hand protection should be used. Possible danger of corrosion.

Heat the oven empty up to 200°C (392°F) for about 30 minutes so as to eliminate thermal insulation odors.

Clean the walls of the cooking chamber using hot water and soap, then rinse; never use aggressive or acid products.

3. ORDINARY MAINTENANCE

The user is solely responsible for ordinary maintenance. The Assistance Centre must be contacted for extraordinary maintenance which requires a specialized authorized technician.

Before cleaning, disconnect the device from the power supply and wait until it is fully cold.

ATTENTION: never clean the device with water jet of pressurised vapour.

3.1 ORDINARY CLEANING OF COOKING CHAMBER

At the end of a working day, clean the equipment, both for hygienic reasons and to avoid malfunctioning.

The oven must never be cleaned using direct or high pressure water jets. In the same manner, to clean the appliance do not use pan-scrubbers, steel brushes or scrapers; it is possible to use stainless steel wool, rubbing it in the direction of the sheets satin finish.

Wait for the cooking compartment to cool down.

Remove the side tray racks.

Manually remove all removable residues place the removable parts inside dishwashers.

To clean the cooking compartment use soapy warm water. Subsequently, all surfaces must be thoroughly rinsed, being careful to ensure no detergent residues remain.

To clean the oven external parts, use a damp cloth and a non-aggressive detergent.

For manual cleaning follow the procedure below:

- Turn on the appliance and set the temperature to 80°C.
- Leave it on for 10 minutes on steam
- Turn off the appliance and let it cool down

- Remove the side tray racks. Manually remove all removable residues place the removable parts inside dishwashers.

- To clean the cooking compartment use soapy warm water. Subsequently, all surfaces must be thoroughly rinsed, being careful to ensure no detergent residues remain.

- To clean the oven external parts, use a damp cloth and a non-aggressive detergent.

- Clean with hot water and soap then rinse.

It is strictly prohibited to wash the cooking chamber in cooking temperatures higher than 70°C, scalding danger.

Daily cleaning of the oven cooking chamber lining must be carried out with a non-abrasive detergent to guarantee its full function.

Use plastic bristles or a sponge soave in vinegar and warm water in case of dirt crusts.

Warning: residue fats possibly present in the cooking chamber could catch fire when using the oven, hence it is advisable to remove them quickly.

Only use products recommended by the manufacturer of the appliance.



3.2 EXTERNAL CLEANING

Only use a damp cloth with warm water or products suitable for cleaning stainless steel. Do not use acidic products or ammonia.

WARNING: the appliance should never be leaned with high pressure water sprays.

3.3 GLASS INSIDE THE DOOR AND DOOR CLEANING

To clean the glass inside the door wait until the oven is completely cool. Then just open the oven door and un-screw the up and down screw to release the

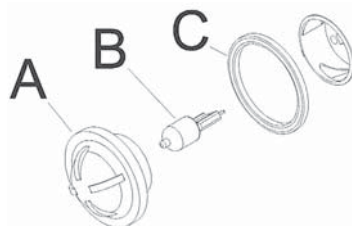
glass. The entire door can be cleaned thoroughly at this position, with the glass still hinged to the door.

3.3 REPLACING LIGHT LAMPS

WARNING: Strictly adhere to the following procedure in order to avoid electrocution or damage to people:

- Disconnect the electrical connection of the oven and leave it to cool.
- Take off the side grids that hold the baking trays.
- Unscrew the glass cover "A" while observing "C". Replace the lamp "B" with one having the same characteristics.
- Screw back on glass cover "A" while observing washer "C".
- Put the side grids back on ensuring they are well fitted.

Should the glass lid be broken or damaged, do not use the oven until the lid is replaced (Contact the Assistance Centre).



4. EXTRAORDINARY MAINTENANCE

It is advisable to have the appliance subjected to periodical checks (at least once per year) by a specialized authorized technician.

Any maintenance, installation or repair work must be carried out by qualified authorized personnel by contacting the Assistance Centre. Before carrying out any operation the appliance must be plugged out at the mains, turn off the water mains taps and wait for it to cool down.

Before moving the appliance from position, check

that the electricity and water connections (electric cables water pipe and drainage) are correctly plugged out.

If the appliance is on wheels check that electric cables, pipes or anything else are not damaged while moving it. Ensure the break is on. Avoid placing the device near heat (such as fryers etc.)

After carrying out the task and replacing the appliance in its initial position, check that the electric and water are connected correctly.

5. MAINTENANCE IN CASE OF BREAKAGE

If the appliance breaks, disconnect it from the mains and turn off water.
Before ringing Customer Service, check the chart below.

FAILURE	CAUSE	SOLUTION
The oven doesn't start	The door is not closed but open	Check that the door is closed
	Micro switch doesn't indicate closed door	Contact specialised technician for repair (Assistance Service)
The fan stops while the oven is on	Safety thermostat measure motor	Turn off the oven and wait for the motor's thermal protection to reset itself. If the problem persists call a specialised repair technician (Assistance Service)
	Motor capacitor break	Contact specialised technician for repair (Assistance Service)
Internal light does not work	Loose lamp	Correctly fit the lamp into the lamp holder
	Blown lamp	Replace the lamp (see ordinary maintenance)
There is no water inflow from the humidifier pipes	Water inlet closed	Open water inlet
	Incorrect connection to the water supply system	Check connection to the water supply system
	The water filters are blocked by impurities at the top	Clean the filters
Non-uniform cooking	The fans no long invert the direction of rotation	Contact specialised technician for repair (Assistance Service)
	One of the fans not operating	
	Failure of one of the resistances	
The oven is completely OFF	Supply voltage failure	Restore power supply voltage
	Incorrect connection to the power supply network	Check connection to the power supply network
	Safety thermostat measure	Contact specialised technician for repair (Assistance Service)
Water leaking from the gaskets with the door open	Dirty lining	Clean the lining with a damp cloth
	Damaged gasket	Contact specialised technician for repair (Assistance Service)
	Problem regarding the closure of the door	Contact specialised technician for repair (Assistance Service)

If the problem persists we advise you to consult a retailer of manufacturer asking for Assistance Service specifying the problem and supplying the

code (Art.) and appliance Ser N°. This information is provided on the INFORMATION PLATE on the side of the machine.



5.1 SPARE PARTS

Use only authorized parts for product repair. All interventions shall be carried out by authorized and specialized technical personnel. Contact the Assistance Centre to request spare parts.

6. COOKING ADVICE

Where the grill is used to cook fatty food such as roasts or poultry it is advisable to insert a container on the bottom of the cooking chamber to collect the fat during cooking.



While cooking food with full containers or filled with liquids, ensure they do not spill, both during and after cooking on taking them out of the oven. Scalding danger!

When ovens are placed on leavening cabinets, stainless steel tables or other ovens, it is not advisable to use shelves so high that the inside of the oven is not at eye level. Scalding danger!

Always clean accessories before use.

To cook food perfectly and uniformly it is not advised to use deep baking trays because they would prevent the correct air circulation. There must be

a space of at least 2 cm between the top tray and food. To cook uniformly do not overload the oven and make sure baked goods or bread face the right direction toward airflow in the cooking chamber.

Correct use of core probe: insert in the thickest part of the food from top to bottom until the centre is reached with the core probe.

To counteract the loss of heat through opening the door to put food in the oven, it is advised to preheat to at least 30°C higher than the desired cooking temperature.

In case of interventions on the food, leave the door open for the least time possible, so as to prevent the temperature within the oven from dropping to a point of jeopardizing successful cooking.

WARNING: it is advisable to open the door twice: keep the door ajar (3-4 cm) for 4-5", then open completely. This is to prevent heat and steam causing annoyance or burns.

6.1 DEFROST

The oven can be used for accelerating the defrosting process for foods to be cooked, by using forced air at ambient temperature or at lower tempera-

ture (depending on the size of the product to be defrosted). This guarantees quick thawing of frozen products without altering their taste and aspect.

6.2 STEAM

The humidification system is recommended for more delicate cooking of all types of foods. Furthermore, it is recommended quick defrosting, warming food products without dehydrating or hardening them and for naturally desalting foods preserved by salting. The combination of the steaming function with the conventional ones allows flexibility of use and saving energy and time, simultaneously maintaining the nutritious and taste qualities of the food unaltered an ideal cooking system for all types of food.

The water – injected on the fan – is atomized and passes through the resistance turning into vapour.

WARNING: Satisfactory operation of the moisturizing function requires that the temperature of the thermostat be set at least at 80-100°C. Steam is rarely produced at lower temperatures and the majority of the water falls to the bottom of the oven.

Furthermore, good vapour cooking required preheating the oven to the desired temperature before activating the vapour supply.

6.3 PREHEATING

To avoid the effects of heat loss when the oven door is opened to place food inside it is advised to preheat to at least 30 °C higher than the desired cooking temperature.

7. MECHANICAL OVEN CONTROL PANEL

Only models GRAFEN: 223819, 223796, 223772, 223758, 223734

- K1 Thermostat knob
- K2 Steam knob
- K4 Timer knob
- L1 Thermostat light
- L2 Humidification Light
- B11 Speed regulation

TIMER KNOB

When manual is selected, the oven stays on until someone turns it off.

When a certain value is selected, the oven stays on for that time (120 minutes maximum).

THERMOSTAT KNOB

This knob allows selecting the desired cooking temperature.

THERMOSTAT LIGHT

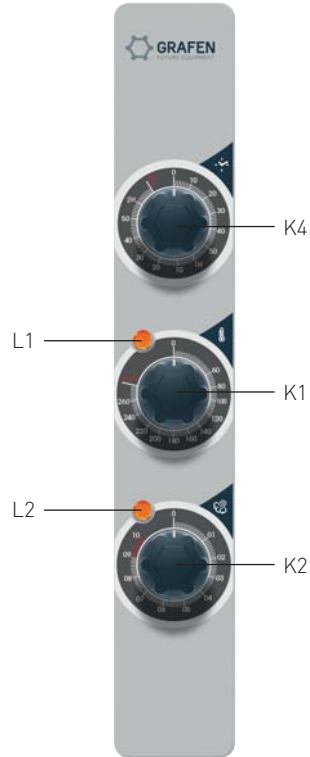
This light is on when the oven heating elements are on therefore the temperature in the cooking chamber is less than that set by the thermostat dial. When the light goes off it means that the heat is off and that the cooking chamber has reached the set temperature.

STEAM KNOB

This knob allows activating the moisturizing function and it can be regulated from minimum to maximum in the clockwise direction.

WARNING: Satisfactory operation of the moisturizing function requires that the temperature of the thermostat be set at least at 80-100°C. Steam is not produced at low temperatures in the oven and the majority of water in the oven flows into the drain.

Furthermore, good vapour cooking required pre-heating the oven to the desired temperature before activating the vapour supply.



HUMIDIFICATION LIGHT

When it is on it means that water is flowing into the cooking chamber to produce steam. This takes place irrespective of temperature (the operator must check that the temperature is high enough to cook effectively).

SPEED ADJUSTMENT

The oven fan/motor has two speed levels. Press the button and enter the speed required:

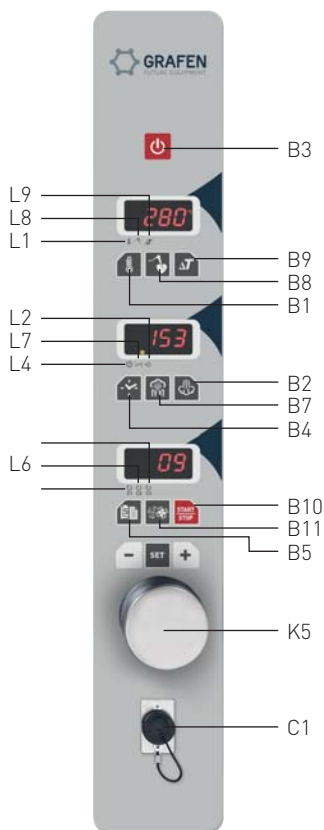
- 1 means that the motor is at its maximum speed. Used for most cooking methods.
- 2 means that the motor is at its minimum speed. Used especially to cook delicate dishes, such as pastries.



8. DIGITAL OVEN CONTROL PANEL

Only model GRAFEN: 223802, 223789, 223765, 223741, 223727

- K5 Encoder for regulation " + / -"
- L1 Thermostat light
- L2 Humidification Light
- L4 Timer led
- L6 Cooking cycle led
- L7 Chimney exhaust led
- L8 Core probe led
- L9 DELTA T led
- B1 Temperature selector
- B2 Steam selector
- B3 ON /OFF button
- B4 Timer selection
- B5 Cooking programs
- B7 Chimney exhaust selector
- B8 Core probe selector
- B9 DELTA T selector
- B10 START / STOP cooking
- B11 Speed regulation
- C1 Core probe inlet



EN

ON/OFF

When power is supplied to the oven the control panel lights up and the operating display indicates off. Activating the control panel requires pressing the on/off.

TEMPERATURE SELECTOR

Press Temperature button, set the temperature value by acting on the encoder knob. It rotates clockwise and anticlockwise, thus it increase or reduces the temperature which appears on the temperature display and press the knob for confirmation. The oven will show always the real temperature inside the cooking chamber. To see what temperature was confirmed press the temperature button.

CORE PROBE

For cooking with core probe you need to fit the under position, press the core probe button and set the temperature value by acting on the encoder knob + press for confirmation. The oven turns off when the inserted core probe registers the food temperature requested.

DELTA T

For cooking with Delta T you need to press the Delta T button and:

- a) set the temperature value of core probe by acting on the encoder knob + press for confirmation
- b) set the temperature value of cooking chamber (difference you want from core probe and cooking chamber) by acting on the encoder knob + press for confirmation

Remember that you need to fit the core probe at the oven before starting this selection

CHIMNEY EXHAUST SELECTOR

Press the exhaust button and set the percentage of open/close for the chimney acting on the encoder knob + press for confirmation.



STEAM REGULATION

Press the steam button and set the percentage of steam acting on the encoder knob + press for confirmation. You can set from 0 – 10 and the below table will indicate the percentage:

Value	Steam percentage
0	0%
1	10%
2	20%
3	30%
4	40%
5	50%
6	60%
7	70%
8	80%
9	90%
10	100%

MANUAL HUMIDIFICATION

If you press the steam button this allows introducing steam as long as it remains pressed

COOKING PROGRAMS STORAGE

To program a cooking process press the button and acting on the encoder you can select the program number to set. The programs that appear with a fix number are already fitted. In case the program number is flashing this means is a empty program and you can start to inlet all information.

Loading a storage cooking program: If you want to use memorized program press the cooking program button and acting on the encoder you can select the program number desired + press the encoder for confirmation and oven will start operating.

Load New program: If you want to memorize new program press the cooking program button and acting on the encoder you must reach the first number that is flashing + press confirmation.

Now you can start to inlet all information for the first phase (temperature, time, steam, etc.) and you will see the light on the led n. 1 + press the cooking

program button and you will skip to second phase (see the led on n. 2 position). Introduce all information for the second phase (temperature, time, steam, etc.) + press the cooking program button and you will skip to third phase [see the led on n. 3 position]. Introduce all information for the third phase (temperature, time, steam, etc.) + press the cooking program button and you will skip to fourth phase (see all 3 led lighting). Introduce all information for the fourth phase (temperature, time, steam, etc.) + press the cooking program button for 5 seconds until will appear MEM (means that program was memorized).

In case the cooking process as only 1 or 2 phase when you finished to set the information (temperature, time, steam, etc.) + press the cooking program button for 5 seconds until will appear MEM (means that program was memorized).

RETURN TO MANUAL COOKING MODE

To exit the program function and return to the MANUAL cooking mode, hold the ENCODER knob down until the word "MAN" appears on the display.

PRE-HEATING

It consists in heating the oven at a temperature greater than 20% with respect to the temperature set by the second program. This function is used to compensate the loss of heat that occurs upon opening the oven and upon the introduction of food products there in. To activate pre-heating press the cooking program button and acting on the encoder go to first program number that is flashing + press for confirmation. Now we are on first phase so press the timer button and acting on encoder go to "infin" (this means that the oven will run without specific timing) + press encoder for confirmation. Now you can introduce the other phase as indicated previously and at end memorize. The oven will start to pre-heat the cooking chamber until reached 20% above the cooking temperature set and after you will hear beep sound. The signal is interrupted by opening the door (to introduce the food products into the oven), thus the stage preset by the program starts. The signal can be stopped without enabling the stage or disabling preheating simply by pressing the START/STOP button.



SPEED REGULATION

To regulate fan speed press the speed button and acting on the encoder you can select two different speeds: minimum or maximum. You will see that on display will appear min or max and you confirm pressing the encoder button.

START/STOP

This button starts/stops a previously set program or cooking program.

ENCODER

The encoder knob rotates clockwise and anticlockwise, thus it increase or reduces the figure indicated on display. Remember to press the encoder for confirmation also the figure will continue to flash.

CORE PROBE SECTION

Section where to introduce the core probe. The cooking time cannot be set given that cooking will end upon reaching the set inner temperature controlled by the probe.

AUTOMATIC COOLING COOKING CHAMBER

To reduce automatically the cooking chamber temperature press temperature button, acting on the encoder reduce the temperature until desired, open the door and press the encoder for confirmation. The oven will immediately reduce the temperature.

AUTOMATIC CLEANING

The cleaning system is fully automatic: just select the required program.

With the control panel in the OFF mode, press the ENCODER knob.

The display will show CLN_01. Turn the ENCODER knob until the required function appears.

Press the ENCODER knob again and start the program.

CLN_01: SHORT cleaning cycle (45 minutes).

CLN_02: MEDIUM cleaning cycle (56 minutes).

CLN_03: LONG cleaning cycle (65 minutes).

CHr___: detergent pump refill (3 minutes).

The detergent pump refill with the CHr program must be carried out in the following cases:
upon first start up after installation.
every time the detergent in the container runs out.
after a long period of non-use.

IMPORTANT

ATTENTION: to guarantee the cleaning system's perfect operation, make sure that the temperature of the cooking chamber is between 90 °C and 140 °C before starting a cleaning program (CLN_01, CLN_02, CLN_03). Higher temperatures are not recommended.

The equipment is intended to clean professional ovens. Any use other than that indicated must be avoided, as this will be considered improper use and, therefore, dangerous.

Before starting a cleaning cycle, make sure that the water drain on the bottom of the cooking chamber is clear, to prevent flooding the chamber.

Never open the cooking chamber when a cleaning cycle is in progress. Chemical substances and hot fumes may escape causing burns and corrosion.

At the end of every cleaning cycle, make sure that no detergent residue is left in the cooking chamber. Remove any residue from the cooking chamber and rinse manually.

We recommend using the detergent approved by the manufacturer.

The use of a non-approved detergent may damage the cleaning system and may affect the integrity of the cooking chamber, rendering the warranty null and void.

8.1 WARNINGS AND ALARMS

All alarms are indicated by a buzzer. The buzzer can be silenced by pressing a key.

Er1 CHAMBER PROBE ALARM:

This is triggered if the chamber probe fails. Everything is deactivated except for the light. The cycle in progress is interrupted.

Er2 CORE PROBE ALARM

This is triggered if the core probe in the food being cooked fails (where used). Everything is deactivated except for the light. The cycle in progress is interrupted.

ALL MOTOR ALARM

This is triggered if the motor overheats. Everything is deactivated except for the light. The cycle in progress is interrupted.

Once the alarm is silenced, press the ON/OFF button for one second to reset the alarm (the control panel is set to OFF).

H-t CONTROL BOARD TEMPERATURE ALARM

This is triggered if the control board overheats. The cycle in progress is interrupted.

Once the alarm is silenced, press the ON/OFF button for one second to reset the alarm (the control panel is set to OFF).

9. TECHNICAL DATA

Mechanical models	223819	223130	223116	223093	223734
Oven capacity	5x GN 2/3	5x GN 1/1	7x GN 1/1	12x GN 1/1	20x GN 1/1
The distance between the guides	67 mm	67 mm	67 mm	67 mm	67 mm
External dimensions	700x714 x(H)628 mm	920x834 x(H)699 mm	920x834 x(H)859 mm	920x834 x(H)1195 mm	1050x940 x(H)1900 mm
The number of fans with reverse	1	2	2	3	4
Temperature	+30°C to +285°C	+30°C to +285°C	+30°C to +285°C	+30°C to +285°C	+30°C to +285°C
Probe	NO	NO	NO	NO	NO
Power	5.4 kW	13.8 kW	13.8 kW	19.1 kW	28.5 kW
Power supply voltage	400 V	400 V	400 V	400 V	400 V
Weight netto	64 kg	103 kg	117 kg	151 kg	250 kg

Digital models	223802	223123	223109	223086	223727
Oven capacity	5x GN 2/3	5x GN 1/1	7x GN 1/1	12x GN 1/1	20x GN 1/1
The distance between the guides	67 mm	67 mm	67 mm	67 mm	67 mm
External dimensions	700x714 x(H)628 mm	920x834 x(H)699 mm	920x834 x(H)859 mm	920x834 x(H)1195 mm	1050x940 x(H)1900 mm
The number of fans with reverse	1	2	2	3	4
Temperature	+30°C to +260°C	+30°C to +260°C	+30°C to +260°C	+30°C to +260°C	+30°C to +260°C
Probe	YES	YES	YES	YES	YES
Power	5.4 kW	13.8 kW	13.8 kW	19.1 kW	28.5 kW
Power supply voltage	400 V	400 V	400 V	400 V	400 V
Weight netto	64 kg	103 kg	117 kg	151 kg	250 kg



SPIS TREŚCI

1. ZASADY BEZPIECZEŃSTWA.....	26
2. ROZPAKOWYWANIE.....	29
3. PRZED INSTALACJĄ.....	30
4. PODŁĄCZANIE ZASILANIA ELEKTRYCZNEGO	31
5. PODŁĄCZENIE DOPŁYWU WODY.....	34
6. PODŁĄCZENIE ODPŁYWU	35
7. INSTALACJA W KOLUMNIE	36
8. TABLICZKA ZNAMIONOWA	36

INSTRUKCJE DLA UŻYTKOWNIKA

1. OSTRZEŻENIE	37
2. PRZED PIERWSZYM UŻYCIEM	39
3. CODZIENNA KONSERWACJA	39
4. DODATKOWA KONSERWACJA.....	41
5. KONSERWACJA W PRZYPADKU AWARII.....	42
6. OBSŁUGA PIECA.....	43
7. MECHANICZNY PANEL STEROWANIA	45
8. CYFROWY PANEL STEROWANIA	46
9. DANE TECHNICZNE	49



UWAGA: wszystkie urządzenia wymagające stałego podłączenia do sieci wodnej (między innymi niniejsze urządzenie) koniecznie muszą mieć podłączony dodatkowo zmiękcacz wody usuwający z niej związki wapnia i magnezu. Zmiękcacz musi być użytkowany zgodnie z zaleceniami producenta zawartymi w instrukcji obsługi.

W przypadku braku podłączenia zmiękczacza lub jego złego użytkowania i/lub regeneracji dystrybutor nie będzie uznawać reklamacji związanych z naprawami wynikającymi z zakamienienia urządzenia.

Zaleca się stosowanie zmiękczaczy z bogatej oferty GRAFEN:

W odpowiednim doborze konkretnego modelu pomoże

Ci przedstawiciel handlowy firmy GRAFEN

Do prawidłowej regeneracji zmiękczaczy zalecamy:

Tabletki solne, worek 25 kg – kod: 231265

Twardość wody				
Stopnie niemieckie [°dH]	Stopnie francuskie [°fH]	mmol/l	Stopnie Clarka	Podłączenie zmiękczacza
powyżej 24	powyżej 40	powyżej 4,2	powyżej 28	Konieczne
18 - 24	32 - 40	3,2 - 4,2	22 - 28	Konieczne
12 - 18	19 - 32	2,1 - 3,2	13 - 22	Konieczne
4 - 12	7 - 19	0,7 - 2,1	5 - 13	Konieczne
poniżej 4	poniżej 7	poniżej 0,7	poniżej 5	Niewymagane



Szanowni Klienci,

Dziękujemy za zakup urządzenia marki GRAFEN. Przed użyciem urządzenia po raz pierwszy, przeczytaj dokładnie instrukcje obsługi, zwracając szczególną uwagę na część dotyczącą zasad bezpieczeństwa, która znajduje się w poniższym punkcie.

1. ZASADY BEZPIECZEŃSTWA

- Nieprawidłowa obsługa i niewłaściwe użytkowanie mogą spowodować poważne uszkodzenie urządzenia lub zranienie osób.
- Niniejsze urządzenie przeznaczone jest wyłącznie do użytku komercyjnego i nie może być stosowane do użytku domowego.
- Urządzenie należy stosować wyłącznie zgodnie z przeznaczeniem. Producent nie ponosi żadnej odpowiedzialności za szkody spowodowane nieprawidłową obsługą i niewłaściwym użytkowaniem urządzenia.
- W czasie użytkowania zabezpiecz urządzenie i wtyczkę kabla zasilającego przed kontaktem z wodą lub innymi płynami. W mało prawdopodobnym przypadku zanurzenia urządzenia w wodzie, należy natychmiast wyciągnąć wtyczkę z kontaktu, a następnie zlecić kontrolę urządzenia specjalście. Nieprzestrzeganie tej instrukcji może spowodować zagrożenie życia.
- Nigdy nie otwieraj samodzielnie obudowy urządzenia.
- Nie wtykaj żadnych przedmiotów w obudowę urządzenia.
- Nie dotykaj wtyczki kabla zasilającego wilgotnymi rękami.
- **Niebezpieczeństwo porażenia prądem!** Nie należy samodzielnie naprawiać urządzenia. Wszelkie usterki i niesprawności winny być usuwane wyłącznie przez wykwalifikowany personel.
- **Nigdy nie używać uszkodzonego urządzenia!** Uszkodzone urządzenie należy odłączyć od sieci i skontaktować się ze sprzedawcą.
- **Ostrzeżenie!** Nie zanurzać części elektrycznych urządzenia w wodzie ani w innych płynach. Nie wkładać urządzenia pod bieżącą wodę.
- Regularnie sprawdzać wtyczkę i kabel zasilający pod kątem uszkodzeń. Uszkodzoną wtyczkę lub kabel przekazać w celu naprawy do punktu serwisowego lub innej wykwalifikowanej osoby, aby zapobiec ewentualnym zagrożeniom i obrażeniom ciała.
- Upewnić się, czy przewód zasilający nie styka się z ostrymi ani gorącymi przedmiotami; trzymać kabel z dala od otwartego płomienia. Aby wyjąć wtyczkę z gniazdka, zawsze ciągnąć za wtyczkę, a nie za kabel.
- Zabezpieczyć przewód zasilający (lub przedłużacz) przed przypadkowym

PL



wyciągnięciem z kontaktu. Przewód poprowadzić w sposób uniemożliwiający przypadkowe potknięcie.

- Stale nadzorować urządzenie podczas użytkowania.
- **Ostrzeżenie!** Jeżeli wtyczka jest włożona do gniazdka, urządzenie należy uważać za podłączone do zasilania.
- Przed wyjęciem wtyczki z gniazdka wyłączyć urządzenie!
- Nigdy nie przenosić urządzenia, trzymając za kabel.
- Nie używać żadnych akcesoriów, które nie zostały dostarczone wraz z urządzeniem.
- Urządzenie należy podłączać wyłącznie do gniazdka o napięciu i częstotliwości podanych na tabliczce znamionowej.
- Włożyć wtyczkę do gniazdka zlokalizowanego w dogodnym i łatwo dostępnym miejscu, tak by w przypadku awarii istniała możliwość natychmiastowego odłączenia urządzenia. W celu całkowitego wyłączenia urządzenia odłączyć je od źródła zasilania. W tym celu wyjąć z gniazdka wtyczkę znajdującą się na końcu przewodu odłączanego urządzenia.
- Przed odłączeniem wtyczki zawsze pamiętać o wyłączeniu urządzenia!
- Nie korzystać z akcesoriów niezalecanych przez producenta. Zastosowanie niezalecanych akcesoriów może stwarzać zagrożenie dla użytkownika oraz prowadzić do uszkodzenia urządzenia. Korzystać wyłącznie z oryginalnych części i akcesoriów.
- Z urządzenia nie mogą korzystać osoby (także dzieci), u których stwierdzono osłabione zdolności fizyczne, sensoryczne lub umysłowe, albo którym brakuje odpowiedniej wiedzy i doświadczenia.
- W żadnym wypadku nie zezwalać na obsługę urządzenia przez dzieci.
- Urządzenie wraz z przewodem przechowywać poza zasięgiem dzieci.
- Nie dopuścić, by dzieci wykorzystywały urządzenie do zabawy.
- Zawsze odłączyć urządzenie od zasilania, jeżeli ma być ono pozostawione bez nadzoru, a także przed montażem, demontażem i czyszczeniem.
- Nie zostawiać urządzenia bez nadzoru podczas użytkowania.



1.1 SZCZEGÓLNE PRZEPISY BEZPIECZEŃSTWA

- Przed przystąpieniem do instalacji i uruchomienia pieca należy dokładnie przeczytać instrukcję.
- **Wszystkie czynności związane z instalacją, montażem, pomocą techniczną oraz dodatkową konserwacją muszą być wykonywane przez wykwalifikowanych pracowników upoważnionych do tego celu przez producenta lub sprzedawcę z zachowaniem zgodności z lokalnymi przepisami prawa w miejscu instalacji w zakresie bezpieczeństwa urządzenia i miejsca pracy.**
- Niewłaściwy sposób wykonania instalacji, konserwacji, czyszczenia lub wprowadzenia zmian może skutkować awarią i uszkodzeniem.
- Urządzenie jest przeznaczone wyłącznie do przygotowywania i podgrzewania żywności w kuchniach przemysłowych. Każdy inny przypadek użycia jest niezgodny z przeznaczeniem i stwarza niebezpieczeństwo.

1.2 GWARANCJA

Każda wada bądź usterka powodująca niewłaściwe funkcjonowanie urządzenia, która ujawni się w ciągu jednego roku od daty zakupu, zostanie bezpłatnie usunięta lub urządzenie zostanie wymienione na nowe, o ile było użytkowane i konserwowane zgodnie z instrukcją obsługi i nie było wykorzystywane w niewłaściwy sposób lub niezgodnie z przeznaczeniem. Postanowienie to w żadnej mierze nie narusza innych praw użytkownika wynikających z przepisów prawa. W przypadku zgłoszenia urządzenia do na-

prawy lub wymiany w ramach gwarancji należy podać miejsce i datę zakupu urządzenia i dołączyć dowód zakupu (np. paragon).

Zgodnie z naszą polityką ciągłego doskonalenia wyrobów zastrzegamy sobie prawo do wprowadzania bez uprzedzenia zmian w wyrobie, opakowaniu oraz danych technicznych podawanych w dokumentacji.

1.3 WYCOFANIE Z UŻYTKOWANIA I OCHRONA ŚRODOWISKA

Urządzenie zużyte i wycofane z użytkowania należy zutylizować zgodnie z przepisami i wytycznymi obowiązującymi w momencie wycofania urządzenia.

Materiały opakowaniowe, jak tworzywa sztuczne i pudła, należy umieszczać w pojemnikach na odpady właściwych dla rodzaju materiału.

2. ROZPAKOWYWANIE

Po rozpakowaniu upewnić się, że piec jest w stanie nienaruszonym i nie nosi śladów uszkodzenia powstałych podczas transportu. Uszkodzonego urządzenia nie należy instalować i oddawać do użytku. W razie wątpliwości należy niezwłocznie skontaktować się ze sprzedawcą. Fakt uszkodzenia lub

zagubienia części należy niezwłocznie zgłosić przewoźnikowi oraz sprzedawcy/producentowi, podając **kod (numer artykułu), numer seryjny (Ser N°)** i załączyć zdjęcie.

Upewnić się, że miejsce instalacji jest dostępne, tj. możliwe jest przejście przez drzwi i korytarze.

2.1 MIEJSCE INSTALACJI

Urządzenie jest przeznaczone do instalacji w zamkniętych i dobrze wentylowanych pomieszczeniach. Urządzenie nie nadaje się do instalacji na zewnątrz.

Temperatura otoczenia w miejscu instalacji musi przekraczać +4°C.

Przed ustawieniem urządzenia należy sprawdzić jego gabaryty i dokładne miejsce wykonania podłączeń zasilania, doprowadzenia wody oraz przewodów wyciągowych i wyciągu.

Piec konwekcyjno-parowy zaleca się umieścić pod okapem lub w miejscu, w którym gorące opary mogą zostać odprowadzone na zewnątrz przez odpowiednią wentylację.

Piec należy umieścić na płaskiej powierzchni, aby nie dopuścić do jego zsunięcia lub przewrócenia się. Miejsce instalacji musi posiadać wytrzymałość dostosowaną do ciężaru zapelnionego urządzenia.

Piec konwekcyjno-parowy należy zamontować w sposób

umożliwiający pełne otwarcie drzwiczek.

Ustawić piec w taki sposób, aby był łatwo dostępny na potrzeby przeprowadzenia konserwacji, wykonywania podłączenia zasilania i doprowadzenia wody.

Urządzenie nie jest przeznaczone do zabudowy. Wokół pieca należy zachować wolną przestrzeń po 5 cm z obu boków oraz z tyłu.

Nie umieszczać innych źródeł ciepła, np. frytkownicy lub gorących talerzy, w pobliżu pieca. Jeżeli nie jest to możliwe, zachować przynajmniej bezpieczną odległość, tj. 50 cm z każdego boku i nad urządzeniem oraz 70 cm z przodu urządzenia od źródeł ciepła.

Nie umieszczać urządzenia w pobliżu materiałów lub pojemników z łatwopalnymi cieczami, np. ściany, meble, ekrany, butle z gazem. Istnieje zagrożenie wybuchu pożaru. Jeżeli nie jest to możliwe, zakryć łatwopalne części materiałem ognioodpornym i izolacyjnym. Przestrzegać przepisów ochrony przeciwpożarowej.

PL



3. PRZED INSTALACJĄ

Zdjąć zewnętrzne opakowanie (drewniana skrzynia lub kartonowe pudło). Opakowanie należy wyrzucić zgodnie z przepisami obowiązującymi w kraju instalacji.

USUWANIE ZEWNĘTRZNEJ FOLII OCHRONNEJ I ELEMENTÓW OPAKOWANIA

Zdjąć całe opakowanie wraz z folią ochronną ze ścianek zewnętrznych i wewnętrznych (patrz rysunek obok)

Usunąć wszystkie naklejki z wnętrza i zdjąć wszystkie plastikowe elementy opakowania. NIE USUWAĆ NAKLEJEK OSTRZEGAWCZYCH I TABLICZEK ZNAMIONOWYCH

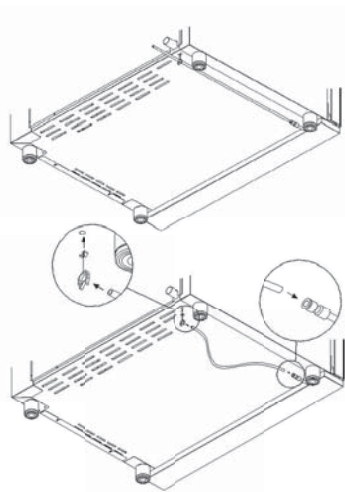
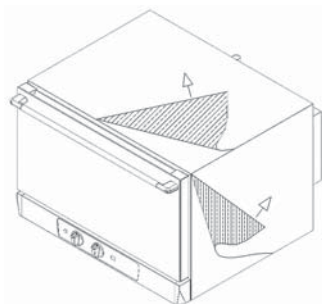
USTAWIANIE URZĄDZENIA

Nie stawiać urządzenia bez nóżek. Piec jest wyposażony w regulowane nóżki zamontowane pod spodem. Nóżki umożliwiają przepływ powietrza chłodzącego części elektrycznej i obudowy pieca. Pozwala to uniknąć przegrzania i uszkodzenia komponentów.

Urządzenie będzie pracowało prawidłowo po ustawieniu na płaskiej powierzchni i odpowiednim wyregulowaniu nóżek przy użyciu poziomiczki alkoholowej. Wypoziomować urządzenie wykręcając lub wkręcając nóżki.

MONTAŻ ODPŁYWU RYNNY OCIEKOWEJ

Zamocować plastikowy zacisk i rurę odpływową dołączoną do opakowania. Sprawdzić, czy rura została mocno zamocowana w taki sposób, aby woda spływała z rynny zamontowanej pod drzwiami pieca do odpływu (patrz rysunek obok).



4. PODŁĄCZANIE ZASILANIA ELEKTRYCZNEGO

OSTRZEŻENIE: Podłączenie do zasilania elektrycznego musi być wykonane przez wykwalifikowanego technika upoważnionego do tego celu, zgodnie z krajowymi, międzynarodowymi i lokalnymi przepisami obowiązującymi w kraju instalacji. Przed wykonaniem podłączenia do zasilania elektrycznego należy upewnić się, że parametry sieci, tj. częstotliwości (...Hz) i napięcie (...V), odpowiadają parametrom podanym na tabliczce znamionowej umieszczonej z tyłu urządzenia.

Zgodnie z obowiązującymi wymaganiami instalacja elektryczna musi być wyposażona w skuteczne uziemienie. Bezpieczeństwo elektryczne urządze-

nia może być zagwarantowane wyłącznie podczas stosowania przepisowej instalacji elektrycznej.

W celu bezpośredniego podłączenia pieca do zasilania sieciowego należy włączyć w układ pomiędzy piecem i siecią wyłącznik dobrany do parametrów obciążenia, umożliwiający odłączenie pieca. Odległość między otwartymi stykami musi zapewniać pełne odłączenie urządzenia w warunkach przepięciowych kategorii III zgodnie z przepisami dotyczącymi instalacji.

Urządzenie musi znajdować się w łatwo dostępnym dla użytkownika miejscu.

4.1 PODŁĄCZANIE KABLA

Odkręć śruby mocujące lewą ściankę pieca i zdjęj ją.

Piec należy podłączyć do zasilania przy użyciu gumowego kabla, np. typu H07RN-F.

OSTRZEŻENIE: Przewody napięciowe w kolorze żółto-zielonym w kablu uziemiającym muszą być o 3 cm dłuższe od pozostałych.

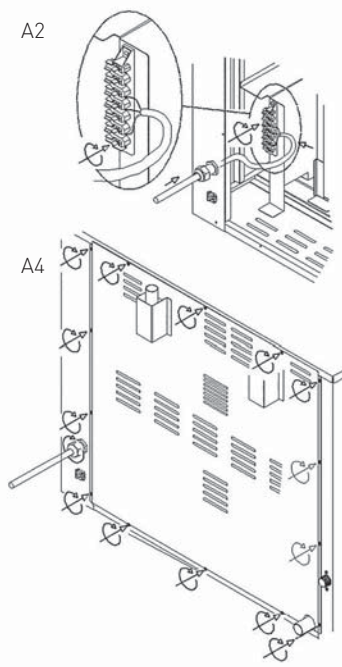
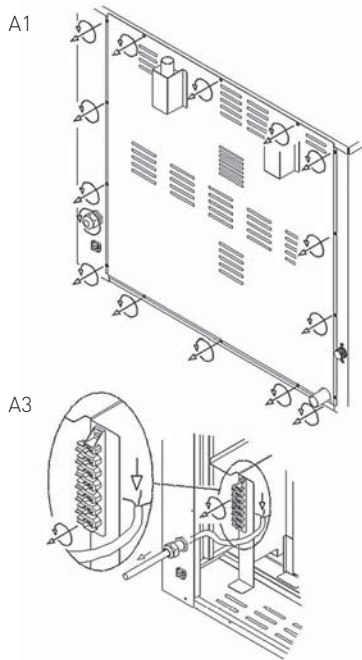


Piec posiada listwy zaciskowe przedstawione na schemacie. Sposób podłączenia do zasilania elektrycznego został podany w instrukcji i na naklejce umieszczonej na dole z tyłu urządzenia obok tabliczki znamionowej.

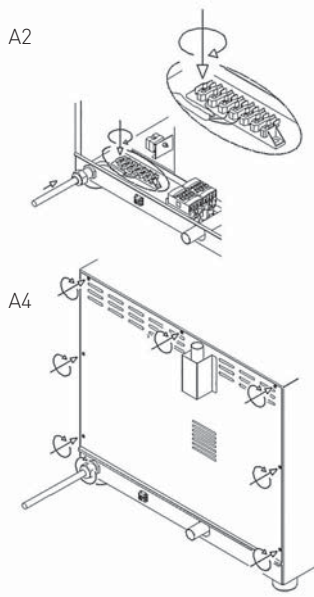
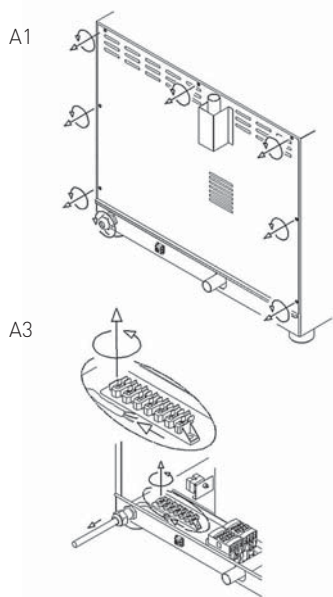
W celu podłączenia przewodu zasilającego do puszkii zaciskowej należy:

- (A1) Poluzować górne elementy dtawnicy kablowej i otworzyć spodnią część z tyłu urządzenia odkręcając śruby.
- (A2) Przeciągnąć nowy kabel przez dtawnicę. Podłączyć kabel do listew zaciskowych zgodnie ze schematem połączeń wskazanym na naklejce z tyłu urządzenia. Należy wykonać tylko wskazane połączenia, wkładając razem miedziany mostek i kabel elektryczny pod śrubę zgodnie z kierunkiem dokręcania, aby kabel i mostek zostały mocno połączone śrubą. Typ kabla, którego należy użyć (H07RN-F), jest podany na naklejce dla każdego rodzaju połączenia wraz z informacją o przekroju w mm².
- (A4) Zamknąć dolną część z tyłu urządzenia i dokręcić śruby. Zamocować kabel i dokręcić górną część dtawnicy kablowej.





PL



Nadmierna liczba podłączeń może prowadzić do przegrzania puszki zaciskowej, a tym samym wybuchu i porażenia prądem.

Przed podłączeniem pieca do zasilania elektrycznego upewnić się, że wszystkie połączenia są dokręcone.

E = żółto-zielony: EARTH: przewód ochronny

N = niebieski: przewód zerowy

L1, L2, L3 = brązowy, szary, czarny: przewody robocze

Upewnić się, że pomiędzy przewodem roboczym i uziemieniem nie doszło do wyładowania elektrostatycznego. Sprawdzić ciągłość wyłącznika krańcowego pomiędzy zewnętrzną obudową i uziemieniem sieci zasilającej. W tym celu zaleca się użycie miernika uniwersalnego.

4.2 WYMIANA KABLA

Czynność musi być wykonana przez wykwalifikowanego i uprawnionego technika. Uziemienie musi być oznaczone kolorem żółto-zielonym.

OSTRZEŻENIE: Przewody napięciowe w kolorze żółto-zielonym w kablu uziemiającym muszą być o 3 cm dłuższe od pozostałych.

W celu podłączenia przewodu zasilającego do puszki zaciskowej należy:

- (A1) Poluzować górne elementy na dtawnicy kablowej i otworzyć część boczną urządzenia, odkręcając śruby.
- (A3) Poluzować śruby zaciskowe i przeciągnąć przewody. Wyjąć stary kabel z dtawnicy.
- (A2) Przeciągnąć nowy kabel przez dtawnicę. Podłączyć nowe przewody do zacisków zgodnie ze schematem połączeń podanym na naklejce umieszczonej na dole z tyłu urządzenia. Należy wykonać tylko wskazane połączenia, wkładając razem miedziany mostek i kabel elektryczny pod śrubę zgodnie z kierunkiem dokręcania, aby

kabel i mostek zostały mocno połączone śrubą. Typ kabla, którego należy użyć (H07RN-F), jest podany na naklejce dla każdego rodzaju połączenia wraz z informacją o przekroju w mm².

- (A4) Zamknąć boczną część urządzenia i dokręcić śruby. Zamocować kabel i dokręcić górną część dtawnicy kablowej.

Przed podłączeniem pieca do zasilania sieciowego upewnić się, że wszystkie połączenia są dokręcone.

OSTRZEŻENIE: Nadmierna liczba połączeń może prowadzić do przegrzania puszki zaciskowej, a tym samym wybuchu i porażenia prądem.

Upewnić się, że pomiędzy przewodem roboczym i uziemieniem nie doszło do wyładowania elektrostatycznego. Sprawdzić ciągłość wyłącznika krańcowego pomiędzy zewnętrzną obudową i uziemieniem sieci zasilającej. Podczas wykonywania powyższych czynności zaleca się użycie miernika uniwersalnego.

Urządzenie należy podłączyć do zasilania sieciowego przy użyciu kabla typu H07RN-F.

4.3 POŁĄCZENIE WYRÓWNAWCZE

Połączenie wyrównawcze pomiędzy różnymi urządzeniami należy wykonać w miejscu oznaczonym tym symbolem ⚡.

Wskazany zacisk umożliwia wykonanie podłączenia

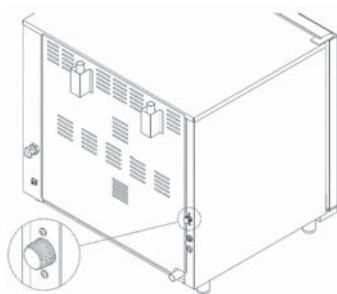
żółto-zielonego kabla o przekroju od 2,5 do 10 mm². Urządzenie należy podłączyć do instalacji wyrównawczej o sprawdzonej skuteczności zgodnie z obowiązującymi przepisami prawa.



5. PODŁĄCZENIE DOPŁYWU WODY

Urządzenie należy umieścić w pobliżu przyłącza wody. Odkręcić wodę i odczekać do momentu wypłukania zabrudzeń płynących w rurach, aby nie dopuścić do ich przedostania się do zaworów magnetycznych w piecu. Pomiędzy instalacją hydrauliczną a urządzeniem należy zainstalować zawór odcinający i filtr mechaniczny oraz zmiękczający wodę.

Z tytu pieca w miejscu oznaczonym naklejką znajduje się wlot typu G 3/4 cala z filtrem. Ciśnienie doprowadzonej wody powinno wynosić od 150 (1,5 bar) and 200 kPa (2 bar). Maksymalna temperatura wody może wynosić +30°C. Woda o tempie powyżej +30°C uszkodzi złoże filtrów i zmiękczaczy. W przypadku ciśnienia przekraczającego 200 kPa (2 bar) należy zainstalować reduktor ciśnienia skalibrowany na wartość 200 kPa (2 bar). Woda o wyższym ciśnieniu może uszkodzić elektrozawory w piecu co może skutkować zalaniem pomieszczenia, w którym znajduje się piec.

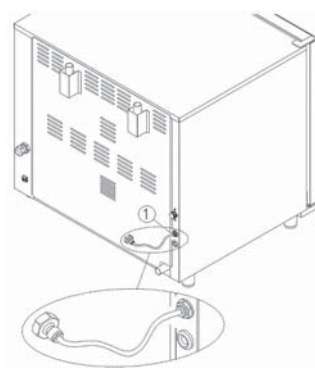


PL

5.1 PODŁĄCZENIE DOPŁYWU WODY DO MYCIA

Pomiędzy doprowadzeniem wody sieciowej a piecem należy zainstalować zawór odcinający i filtr mechaniczny. Z tytu pieca znajduje się wlot typu G 3/4 cala z rurą.

UWAGA: Przed podłączeniem wody sieciowej należy odkręcić wodę i odczekać do wypłukania zabrudzeń płynących w rurach. Poprawna praca układu czyszczenia wymaga doprowadzenia wody sieciowej pod ciśnieniem min. 200 kPa (2 bar) o maks. temperaturze 30 °C. Niższe ciśnienie wody może uniemożliwić poprawne działanie układu czyszczenia.



5.2 JAKOŚĆ WODY

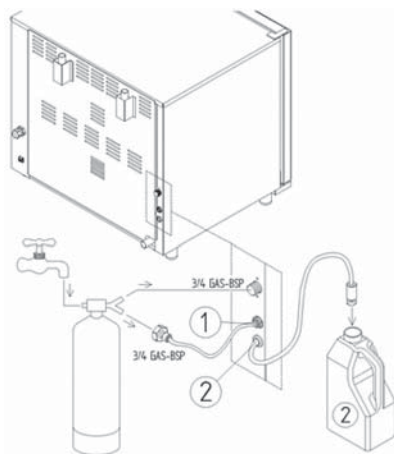
Aby zapewnić poprawne działanie urządzenia, doprowadzona woda musi mieć stopień twardości maks. 5 °dH, aby zapobiec osadzeniu się kamienia. W przypadku wyższego stopnia twardości wody należy zainstalować zmiękczacze wody.

PODŁĄCZENIE DOPŁYWU ŚRODKA CZYSZCZĄCEGO

Włożyć rurę ssawną do zbiornika ze środkiem czyszczącym.

1 = wlot wody do MYCIA

2 = wlot środka MYJĄCEGO



6. PODŁĄCZENIE ODPLYWU

Rura odpływowa wody znajduje się w dolnej części z tyłu pieca. Do jej podłączenia należy użyć sztywnej lub giętkiej rury poprowadzonej do odpływu otwartego lub opływu z syfonem.

Średnica rury nie może być mniejsza niż wylot odpływu z pieca. Zaleca się zainstalować odpowiedni syfon pomiędzy piecem i odpływem, aby uniknąć wydzielania nieprzyjemnych zapachów z pieca i odpływu.

Unikać zmniejszania przekroju rur giętkich lub łuków na rurach sztywnych na całej długości układu odpływowego.

Piec musi posiadać własny odpływ. Jeżeli do tej samej rury podłączone są inne piece lub urządzenia, upewnić się, że zastosowana rura nie ulegnie zatkanie podczas pracy i spełni swoją funkcję.

Przestrzegać lokalnie obowiązujących przepisów i standardów.

6.1 WYCIĄG WENTYLACYJNY

Podczas pracy piec wytwarza gorące wyziewy i opary. Miejsce wyprowadzenia znajduje się na górze z tyłu urządzenia. Nie zastaniać miejsca wylotu żadnymi przedmiotami, aby nie utrudniać odprowadzania wyziewów, ponieważ może to spowodować uszkodzenie pieca. Piec zaleca się ustawić

pod odpowiednim wyciągiem z odprowadzeniem gorących wyziewów i par na zewnątrz przez rurę o odpowiedniej średnicy (pytać specjalistyczne firmy wentylacyjne). Przewód nie powinien być zgięty lub niedrożny.



7. INSTALACJA W KOLUMNIE

Ustawianie dwóch pieców w kolumnie wymaga użycia specjalnego zestawu utrzymującego odpowiedni odstęp pomiędzy dwoma urządzeniami.

8. TABLICZKA ZNAMIONOWA



HENDI Polska, ul. Magazynowa 5, 62-023 Gądkki, tel.: +48 61 658 70 00, www.grafen.com

**Piec konwekcyjno-parowy 5x GN 2/3 elektryczny
– sterowanie manualne**

Kod: 223819	Termostat: +30 do +260° C	
Ciś. robocze: 2 bar	Waga: 64 kg	Moc: 5,4 kW
Rok prod.:	Napięcie: 400 V~, 3 N, 50-60 Hz	

Numer seryjny:



Na tabliczce znamionowej znajdują się:

Nazwa i adres dystrybutora

Nazwa urządzenia

Kod urządzenia

Waga

Maksymalne ciśnienie wody doprowadzonej (tylko w modelach z nawilżaniem)

Moc znamionowa

Napięcie i częstotliwość

Rok produkcji urządzenia

Numer seryjny urządzenia

PL



INSTRUKCJE DLA UŻYTKOWNIKA

1. OSTRZEŻENIE

- **Dokładnie zapoznać się z instrukcją i podanymi w niej instrukcjami bezpieczeństwa i użytkownika urządzenia. Zachować instrukcję na przyszły użytek.**
- **Niewłaściwie wykonane czynności związane z instalacją, konserwacją, czyszczeniem, użytkowaniem lub wprowadzaniem zmian mogą skutkować awarią, uszkodzeniem lub spowodować obrażenia.**
- **Niewłaściwy sposób postępowania podczas tych czynności pogarsza bezpieczeństwo urządzenia i może skutkować utratą gwarancji.**
- Piec jest przeznaczony do gotowania potraw w zamkniętych pomieszczeniach i musi być używany wyłącznie do tego celu. Jakikolwiek inne zastosowanie jest niedozwolone i stwarza zagrożenie.
- Piec musi być używany przez pracowników przeszkolonych w tym zakresie.
- Aby uniknąć ryzyka wypadku lub uszkodzenia urządzenia, regularne i dokładne instruowanie pracowników w zakresie bezpieczeństwa ma zasadnicze znaczenie.
- Urządzenie nie jest przeznaczone do stosowania przez osoby o niepełnej sprawności fizycznej i umysłowej lub nieposiadające doświadczenia, chyba że zostały poinstruowane w zakresie obsługi pieca przez personel odpowiedzialny za ich bezpieczeństwo.
- Nie pozostawiać urządzenia bez opieki w obecności dzieci. Nie dopuszczać dzieci do urządzenia.
- Pod żadnym pozorem nie wolno pozostawiać łatwopalnych materiałów w pobliżu urządzenia, ponieważ istnieje zagrożenie pożarowe.
- Temperatura pojemników na żywność (GN-ów, rusztów itp.), akcesoria i inne przedmioty mogą ulec rozgrzaniu. Podczas przenoszenia należy uważać, aby uniknąć poparzenia.
- Zachować ostrożność podczas otwierania drzwiczek. Niebezpieczeństwo poparzenia na skutek wysokiej temperatury.
- Piec posiada system bezpieczeństwa, który automatycznie uniemożliwia pracę elementów grzewczych (grzałek), wentylatorów i wytwornicy pary po otwarciu drzwiczek.
- Przygotowując posiłki przy użyciu sondy (tylko piece z cyfrowym panelem sterowania) należy zachować szczególną ostrożność podczas wyciągania blachy z pieca. Pamiętać o wyjęciu sondy z produktu i odłożeniu jej w odpowiednie miejsce.



- Nie wkładać produktów łatwopalnych lub produktów zawierających alkohol do komory pieca.
- Istnieje niebezpieczeństwo zapłonu i wybuchu.
- Nie należy solić produktów wstawionych do komory pieca. Jeżeli nie można uniknąć tej czynności, niezwłocznie usunąć sól z komory pieca, ponieważ może ona doprowadzić do jej uszkodzenia (powstania korozji).
- Panel należy obsługiwać palcami. Inne przedmioty mogą uszkodzić panel pieca i skutkować utratą gwarancji.
- Czynności związane z instalacją, konserwacją dodatkową i naprawą urządzenia mogą być wykonywane wyłącznie przez pracowników o odpowiednich umiejętnościach zawodowych.



- **Uwaga! Temperatura zewnętrznych części pieca może przekroczyć +60°C. W celu uniknięcia poparzeń zaleca się nie dotykać zewnętrznych części oznaczonych wskazanym symbolem.**
- **Uszkodzone lub pęknięte elementy drzwiczek szklanych należy niezwłocznie wymienić (skontaktować się z autoryzowanym sprzedawcą).**
- **W przypadku dłuższej przerwy w użytkowaniu pieca (kilka dni) zalecane jest odłączenie urządzenia od zasilania elektrycznego i dootywu wody.**
- **Producent i/lub sprzedawca nie ponoszą odpowiedzialności za obrażenia lub szkody w mieniu i osobach na skutek nieprzestrzegania powyższych instrukcji dotyczących zakazu wykonywania zmian nawet w pojedynczej części urządzenia i stosowania nieoryginalnych części zamiennych.**
- **Urządzenie spełnia wymagania obowiązujących dyrektyw Unii Europejskiej.**

2. PRZED PIERWSZYM UŻYCIEM



Upewnić się, że blachy (GN-y, ruszta itp.) wewnątrz pieca są dobrze założone na prowadnicach. W przeciwnym wypadku blachy obciążone produktami lub gorącymi płynami mogą spaść i spowodować oparzenia.

2.1 KONTROLA PIECA

Piec należy sprawdzić przez przeprowadzenie próbnego cyklu gotowania w celu skontrolovania poprawnej pracy urządzenia i wykluczenia ewentualnych usterek. Ustawić regulator temperatury na 150°C a regulator czasu na 10 minut.

Sprawdzić każdy podpunkt na poniższej liście:

- Lampka komory pieca jest zapalona (ON).
- Piec wyłącza się (zatrzymanie nagrzewania, parowania, wyłączenie silników/wentylatorów) po otwarciu drzwiczek. Piec wznowia pracę po zamknięciu drzwiczek.

- Po osiągnięciu ustawionej temperatury termostat wyłącza elementy grzejne.
- Wentylatory zmieniają kierunek obrotów. Zmiana następuje co 2 minuty. Parowanie wyłącza się na krótko na 20 sekund po wyłączeniu urządzenia.
- Wentylatory w komorze pieca obracają się w tym samym kierunku.
- Jeżeli piec jest wyposażony w funkcję parowania: włączyć używając pokrętki i sprawdzić, czy woda jest doprowadzana do wentylatora przez przewód parownika w komorze pieca.

2.2 PIERWSZE CZYSZCZENIE KOMORY PIECA

Przed przystąpieniem do czyszczenia odłączyć urządzenie od zasilania elektrycznego i odczekać do momentu całkowitego ostudzenia.

We wnętrzu pieca nie wolno pozostawiać resztek rozpuszczalników ani środków czyszczących. Tego typu substancje należy usunąć przed dokładne zmycie przy użyciu wilgotnej ściereczki. Należy stosować odpowiednią ochronę oczu, ust i rąk. Istnieje

ryzyko korozji.

Aby usunąć zapach izolacji termicznej, rozgrzać piec do temperatury +200 °C (392 °F) na czas ok. 30 minut.

Wyczyścić ścianki komory pieca przy użyciu gorącej wody z mydłem i zmyć. Nie stosować środków żrących.

3. CODZIENNA KONSERWACJA

Użytkownik ponosi wyłączną odpowiedzialność za codzienną konserwację pieca. W razie konieczności przeprowadzenia dodatkowej konserwacji urządzenia należy skontaktować się ze sprzedawcą w celu uzyskania pomocy wykwalifikowanego i uprawnionego technika.

Przed przystąpieniem do czyszczenia odłączyć zasilanie elektryczne i odczekać do całkowitego wystudzenia pieca.

UWAGA: Nigdy nie czyścić urządzenia strumieniem wody i/lub pary pod ciśnieniem.



3.1 CODZIENNE CZYSZCZENIE KOMORY PIECA

Na koniec dnia roboczego wyczyścić urządzenie, aby zapewnić wymagany poziom czystości i uniknąć awarii.

Pieca nigdy nie należy czyścić przez bezpośrednie kierowanie strumienia wody i/lub pary pod ciśnieniem. Nie czyścić urządzenia za pomocą czyścików, stalowych szczotek lub skrobaków. Można stosować wełnę ze stali nierdzewnej, czyszcząc zgodnie z kierunkiem szczotkowania satynowego wykończenia blachy.

Przed czyszczeniem odczekać do ostudzenia wnętrza pieca.

Wyjąć z komory pieca prowadnice na blachy.

Ręcznie usunąć wszystkie pozostałości i umyć zdemontowane części w zmywarce.

Do czyszczenia wnętrza pieca należy używać ciepłej wody z mydłem. Następnie dokładnie przemyć wszystkie powierzchnie uważając, aby dokładnie usunąć cały środek czyszczący.

Do czyszczenia zewnętrznych części pieca należy używać wilgotnej ściereczki i łagodnego środka czyszczącego.

Podczas ręcznego czyszczenia należy:

- Włączyć piec i ustawić temperaturę +80°C.
- Pozostawić na 10 minut przy włączonej parze.
- Wyłączyć piec i odczekać do wystudzenia.

- Wyjąć z komory pieca prowadnice na blachy.
- Ręcznie usunąć wszystkie pozostałości i umyć zdemontowane części w zmywarce.
- Do czyszczenia komory pieca należy używać ciepłej wody z mydłem. Następnie dokładnie przemyć wszystkie powierzchnie uważając, aby dokładnie usunąć cały środek czyszczący.
- Do czyszczenia zewnętrznych części pieca należy używać wilgotnej ściereczki i łagodnego środka czyszczącego.
- Umyć gorącą wodą z mydłem i przemyć.

Mycie komory pieca przy temperaturze przekraczającej +70°C jest zabronione ze względu na niebezpieczeństwo poparzenia.

Codziennie czyszczenie komory pieca wykonywane przy użyciu łagodnego środka czyszczącego zapewnia poprawne działanie urządzenia.

Do czyszczenia zaschniętych zabrudzeń należy używać plastikowych szczotek lub gąbek nasączonych octem i ciepłą wodą.

Ostrzeżenie: pozostały w komorze pieca tłuszcz może ulec zapłonowi podczas pracy pieca.

Tłuszcz należy niezwłocznie usunąć.

Stosować wyłącznie produkty zalecane przez producenta urządzenia.

3.2 CZYSZCZENIE OBUDOWY

Używać wyłącznie wilgotnej ściereczki i gorącej wody lub produktów przeznaczonych do czyszczenia stali nierdzewnej. Nie używać produktów

żrących ani amoniaku.

OSTRZEŻENIE: Urządzenia nie wolno czyścić strumieniem pary i/lub wody pod ciśnieniem.

3.3 CZYSZCZENIE SZYBY I DRZWICZEK

Aby wyczyścić szybę w drzwiczkach, należy odczekać do całkowitego wystudzenia pieca. Następnie otworzyć drzwiczki, odkręcić górną i dolną śrubę,

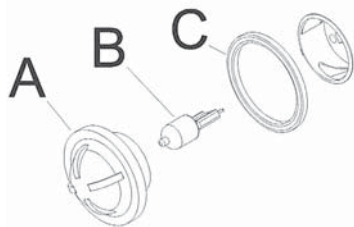
aby wyjąć szybę. Dokładne wyczyszczenie drzwiczek jest możliwe przy szybie zawieszanej na drzwiczkach.

3.4 WYMIANA LAMPEK

OSTRZEŻENIE: ściśle przestrzegać poniższych instrukcji, aby uniknąć porażenia prądem lub obrażeń:

- Odtąć zasilanie elektryczne pieca i odczekać do ostudzenia.
- Wyjąć boczne prowadnice na blachy.
- Odkręcić szklaną pokrywę „A” uważając na uszczelkę „C”. Wymienić lampkę „B” na lampkę tego samego typu.
- Przykręcić szklaną pokrywę „A” uważając na uszczelkę „C”.
- Założyć prowadnice i upewnić się, że są dobrze zamocowane.

W przypadku stłuczenia lub pęknięcia szkła nie używać pieca do momentu wymiany (skontaktować się z centrum pomocy).



4. DODATKOWA KONSERWACJA

Zalecana jest okresowa kontrola urządzenia (przynajmniej raz do roku) wykonywana przez wykwalifikowanego i uprawnionego technika.

Wszelkie prace konserwacyjne, instalacyjne i naprawy muszą być wykonywane przez wykwalifikowanych i uprawnionych pracowników. Skontaktować się ze sprzedawcą. Przed przystąpieniem do jakichkolwiek czynności przy urządzeniu należy odłączyć zasilanie elektryczne, doptyw wody i odczekać do ostudzenia.

Przed zestawieniem urządzenia upewnić się, że za-

silanie elektryczne i doptyw wody zostały odłączone (kabel elektryczny, rura i odptyw).

Jeżeli urządzenie jest ustawione na kótkach, podczas przemieszczenia urządzenia upewnić się, że kable elektryczne, rury lub inne elementy nie są uszkodzone. Zaciągnąć hamulec. Nie ustawiać urządzenia w pobliżu źródeł ciepła (np. frytkownicy itp.).

Po zakończeniu pracy i ponownym ustawieniu urządzenia sprawdzić poprawność podłączenia zasilania elektrycznego i wody.

PL



5. KONSERWACJA W PRZYPADKU AWARII

W przypadku awarii urządzenia odłączyć zasilanie elektryczne i zakręcić doptyw wody. Przed skontaktowaniem się telefonicznie z obsługą klienta należy zapoznać się z poniższą tabelą.

AWARIA	PRZYCZYNA	ROZWIĄZANIE
Nie można włączyć pieca	Drzwiczki nie są zamknięte do końca	Sprawdzić, czy drzwiczki są zamknięte
	Mikroprzełącznik nie wykrywa zamknięcia drzwiczek	Skontaktować się z wykwalifikowanym technikiem w sprawie naprawy
Wentylator wyłącza się podczas pracy pieca	Zadziałał termostat zabezpieczający silnik	Wyłączyć piec i odczekać do samoczynnego zresetowania zabezpieczenia termicznego silnika. Jeżeli problem nie ustąpi, skontaktować się z wykwalifikowanym technikiem
	Zadziałało zabezpieczenie silnika	Skontaktować się z wykwalifikowanym technikiem w sprawie naprawy
Żarówka w komorze pieca nie pali się	Poluzowana lampka	Poprawić mocowanie lampki w oprawce
	Przepalona lampka	Wymienić lampkę (patrz „Codzienna konserwacja”)
Brak doptywu wody z rur parownika	Zamknięty doptyw wody	Otworzyć doptyw wody
	Niepoprawne podłączenie układu doprowadzenia wody	Sprawdzić sposób podłączenia układu doprowadzenia wody
	Filtry wody są zabrudzone	Wyczyścić filtry
Nierównomierne gotowanie	Wentylatory nie zmieniają kierunku obrotu	Skontaktować się z wykwalifikowanym technikiem w sprawie naprawy
	Pracuje tylko jeden wentylator (tylko w piecach z 2 lub 3 wentylatorami)	
	Uszkodzenie jednego z elementów grzejnych	
Pieca nie można włączyć	Brak zasilania	Przywrócić zasilanie
	Niepoprawne podłączenie zasilania elektrycznego	Sprawdzić podłączenie zasilania elektrycznego
	Zadziałał termostat zabezpieczający	Skontaktować się z wykwalifikowanym technikiem w sprawie naprawy
Wyciek wody z uszczelki po otwarciu drzwiczek	Zabrudzona powierzchnia wnętrza przy uszczelce	Wyczyścić emalię wilgotną ściereczką
	Uszkodzona uszczelka	Skontaktować się z wykwalifikowanym technikiem w sprawie naprawy
	Nie można zamknąć drzwiczek	Skontaktować się z wykwalifikowanym technikiem w sprawie naprawy

Jeżeli nie można rozwiązać problemu, należy skontaktować się ze sprzedawcą lub producentem w celu wezwania serwisu technicznego, opisując problem i podając **kod (nr artykułu) i numer seryjny**

Ser N°. Odpowiednie informacje można znaleźć na **TABLICZCE ZNAMIONOWEJ** umieszczonej z boku pieca.

5.1 CZĘŚCI ZAMIENNE

Używać wyłącznie dopuszczonych części zamiennych. Wszystkie czynności interwencyjne muszą być wykonywane przez wykwalifikowany i uprawniony personel. W sprawie części zamiennych należy skontaktować się ze sprzedawcą.

6. OBSŁUGA PIECA

Podczas pieczenia tłustych produktów, np. pieczeni lub drobiu na rusztach, zalecane jest podstawienie pojemnika GN na dnie komory pieca na tłuszcz ściekający podczas pieczenia.



Podczas przygotowywania produktów w pełnych pojemnikach, w tym wypełnionych płynem, uważać, aby nie rozlać zawartości podczas obróbki lub podczas wyjmowania z pieca.

Niebezpieczeństwo poparzenia!

W przypadku umieszczenia pieców na podstawach poziomujących, lub stołach ze stali nierdzewnej zalecane jest używanie takich podstaw aby górna półka w komorze była na wysokości oczu. Niebezpieczeństwo poparzenia!

Aksesoria zawsze należy wyczyścić przed użyciem.

W celu idealnego i jednorodnego przyrządzenia produktów niezalecane jest stosowanie głębokich blach do pieczenia. Ten typ blach utrudnia cyrkulację powietrza. Należy zachować minimum 2 cm odstęp pomiędzy górną blachą i produktami.

Aby zapewnić jednorodny sposób gotowania, do

pieca nie należy wkładać zbyt dużej ilości produktów. Upewnić się, że pieczone potrawy lub pieczywo są ustawione zgodnie z kierunkiem przepływu powietrza w komorze pieca.

Poprawny sposób użyciu sondy polega na jej włożeniu w najgrubszym miejscu pomiędzy spodem i górą oraz na głębokość pozwalającą dotrzeć do środka produktu.

Aby nie dopuścić do straty ciepła podczas otwierania drzwiczek w celu włożenia produktu do pieca, zalecane jest wstępne nagrzanie pieca przynajmniej do temperatury wyższej o +30°C niż temperatura, w której chcemy gotować.

W razie konieczności uzyskania dostępu do produktu drzwiczki należy otworzyć na możliwie krótki czas, aby nie dopuścić do obniżenia temperatury poniżej wartości wymaganej do poprawnego przygotowania produktu.

OSTRZEŻENIE: Drzwiczki należy otwierać stopniowo: najpierw uchylić (3-4 cm) na ok. 4-5 sekundy i następnie całkowicie otworzyć. Taki sposób otwierania pieca zapobiega uderzeniu gorącą i pary, które mogą doprowadzić do podrażnień lub oparzeń osoby obsługującej.



6.1 ROZMRAŻANIE

Piec może być użyty do przyspieszenia procesu rozmrażania produktów przed przyrządzeniem dzięki zastosowaniu wymuszonego obiegu powietrza o temperaturze otoczenia lub niższej (zależnie od

rozmiaru produktów do rozmrożenia). Funkcja gwarantuje szybkie rozmrożenie produktów bez zmiany ich wartości smakowych i odżywczych.

6.2 GOTOWANIE NA PARZE

System gotowania na parze jest zalecany do delikatnej obróbki wszystkich rodzajów produktów. Dodatkowo system pozwala na szybkie rozmrażanie, podgrzewanie produktów bez ich wysuszenia, stwardnienia lub w celu usunięcia nadmiaru soli z produktów naturalnie zakonserwowanych przy jej użyciu. Połączenie funkcji gotowania na parze z konwekcyjnym sposobem obróbki pozwala na elastyczne wykorzystanie pieca i oszczędność energii oraz czasu. Funkcja pozwala na jednoczesne zachowanie wartości odżywczych i smakowych. Gotowanie na parze jest idealnym rozwiązaniem do przygotowywania wszystkich rodzajów produktów.

Woda wprowadzana za pomocą wentylatora ulega rozpyleniu i przechodzi przez elementy grzejne, które zamieniają ją w parę.

OSTRZEŻENIE: Prawidłowe działanie funkcji gotowania na parze wymaga ustawienia temperatury termostatu przynajmniej na od +80 do +100°C. W niższej temperaturze nie dochodzi do produkcji pary i większość wody ścieka na dno pieca. Ponadto poprawny sposób gotowania na parze wymaga nagrzania komory pieca do odpowiedniej temperatury przed załączeniem funkcji wytwarzania pary.

PL

6.3 NAGRZEWANIE

Aby nie dopuścić do utraty ciepła podczas otwierania drzwiczek w celu włożenia produktu do pieca, zalecane jest wstępne nagrzanie pieca (PRE-HEATING)

do temperatury wyższej o +30°C niż temperatura, w której chcemy gotować.



7. MECHANICZNY PANEL STEROWANIA

Piece GRAFEN: 223819, 223796, 223772, 223758, 223734

- K1 Pokrętko termostatu
- K2 Pokrętko gotowania na parze
- K4 Pokrętko czasu (TIMER)
- L1 Lampka kontrolna termostatu
- L2 Lampa kontrolna gotowania z parą
- B11 Regulacja prędkości (opcja tylko w wybranych modelach)

POKRĘTKO CZASU (TIMER) „K4”

W trybie ręcznym piec pracuje do momentu wyłączenia.

Po wybraniu wartości piec pracuje przez ustawiony czas (maks. 120 minut).

POKRĘTKO TERMOSTATU „K1”

Pokrętko służy do wyboru żądanej temperatury.

LAMPKA KONTROLNA TERMOSTATU „L1”

Zapalona lampka kontrolna termostatu oznacza pracę elementów grzejnych pieca.

Temperatura w komorze pieca jest wtedy niższa niż wartość ustawiona za pomocą termostatu.

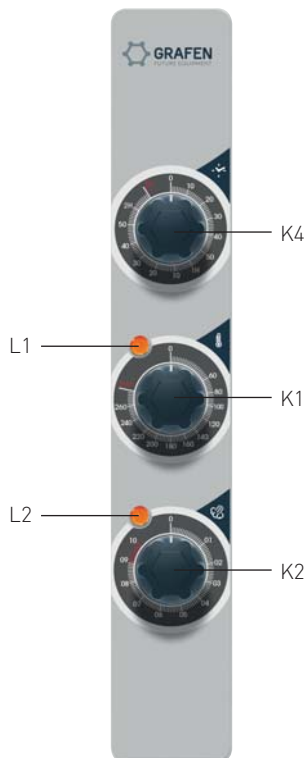
Zgaśnięcie lampki oznacza zakończenie nagrzewania. Temperatura w komorze pieca osiąga wtedy zadaną wartość temperatury

POKRĘTKO GOTOWANIA NA PARZE „K2”

Pokrętko służy do włączenia funkcji parowania. Udział pary jest regulowany w zakresie od minimum do maksimum zgodnie z kierunkiem ruchu wskazówek zegara.

OSTRZEŻENIE: Prawidłowe działanie funkcji parowania wymaga ustawienia temperatury termostatu w przedziale przynajmniej od +80 do +100°C. W niższej temperaturze nie dochodzi do produkcji pary i większość wody ścieka na dno pieca.

Ponadto poprawny sposób gotowania na parze wymaga nagrzania komory pieca do odpowiedniej temperatury przed załączeniem funkcji wytwarzania pary.



LAMPKA KONTROLNA GOTOWANIA Z PARĄ „L2”

Zapalona lampka kontrolna oznacza, że woda przepływa do komory pieca w celu wytworzenia pary. Działanie układu jest niezależne od temperatury. Użytkownik musi sprawdzać, czy ustawiona temperatura jest wystarczająca do zamiany wody w parę.

REGULACJA PRĘDKOŚCI „B11” (opcja tylko w wybranych modelach)

Wentylator/silnik pieca może pracować z dwiema prędkościami. Nacisnąć przycisk i wybrać żądaną prędkość:

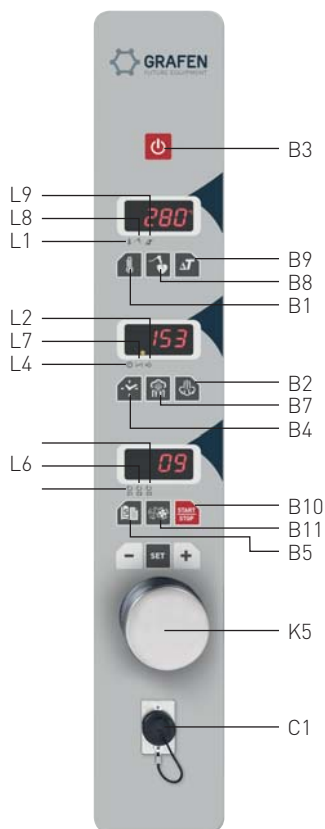
- Pozycja „1” oznacza pracę silnika z maksymalną prędkością. Opcja przeznaczona do stosowania podczas gotowania większości produktów.
- Pozycja „2” oznacza pracę silnika z minimalną prędkością. Opcja przeznaczona do przygotowywania delikatnych potraw, np. wypieków.



8. CYFROWY PANEL STEROWANIA

Piecy GRAFEN: 223802, 223789, 223765, 223741, 223727

- K5 Pokrętło zwiększania/zmniejszania wartości parametru „+/-”
- L1 Lampka kontrolna termostatu
- L2 Lampa kontrolna gotowania na parze
- L4 Lampka kontrolna czasu (TIMAR-a)
- L6 Lampki kontrolne kroków gotowania
- L7 Lampka kontrolna kominka wentylacyjnego
- L8 Lampka kontrolna sondy
- L9 Lampa kontrolna funkcji „DELTA-T”
- B1 Przycisk wyboru temperatury
- B2 Przycisk funkcji pary
- B3 Przycisk włączanie/wyłączanie pieca
- B4 Przycisk ustawiania czasu gotowania
- B5 Programy
- B7 Wybór pozycji kominka wentylacyjnego
- B8 Przycisk wyboru gotowania z sondą
- B9 Przycisk funkcji „DELTA-T”
- B10 START / STOP cyklu gotowania
- B11 Przycisk regulacji prędkości wentylatora
- C1 Gniazdo podłączenia sondy



Przycisk WŁĄCZENIE/WYŁĄCZENIE PIECA „B3”

Przy załączonym zasilaniu panel sterowania świeci się i ekran obsługowy podaje temperaturę aktualnie panującą w komorze pieca. Piec jest gotowy do pracy. Aby aktywować panel sterowania, nacisnąć przycisk „B3” - ON/OFF.

WYBÓR TEMPERATURY

Nacisnąć przycisk temperatury „B1” i przy użyciu pokrętła „K5” ustawić temperaturę. Pokrętło obraca się w prawo i w lewo, odpowiednio zwiększając lub zmniejszając wartość na wyświetlaczu. Nacisnąć pokrętło „K5” aby potwierdzić wybór. Wyświetlacz zawsze pokazuje aktualną temperaturę wewnątrz komory pieca. Aby wyświetlić ustawioną (zadaną) temperaturę, nacisnąć przycisk temperatury „B1”.

SONDA

Przed uruchomieniem tej opcji należy w pierwszej kolejności włożyć sondę.

W celu uruchomienia trybu z użyciem należy podłączyć sondę do gniazda „C1” oraz nacisnąć przycisk „B8”.

Ustawić temperaturę przy użyciu pokrętła „K5”. Nacisnąć pokrętło „K5”, aby potwierdzić wprowadzoną temperaturę jaka ma być we wnętrzu potrawy, w którą włożono sondę.

Piec wyłączy się, gdy sonda zarejestruje żądaną temperaturę wewnątrz produktu.

DELTA-T

Przed uruchomieniem tej opcji należy w pierwszej kolejności włożyć sondę.

W celu skorzystania z funkcji „Delta-T” (stała, ustalona różnica temperatur w komorze pieca i wewnątrz potrawy, w którym jest sonda) nacisnąć odpowiedni przycisk „B9” a następnie:

- ustawić temperaturę sondy przy użyciu pokrętła „K5”. Nacisnąć pokrętło „K5”, aby potwierdzić.
- ustawić temperaturę w komorze pieca (żądana różnica pomiędzy temperaturę sondy i komory pieca) przy użyciu pokrętła. Nacisnąć, aby potwierdzić.

WYBÓR POZYCJI KOMINKA WENTYLACYJNEGO

Nacisnąć przycisk „B7” i ustawić stopień otwarcia kominka wentylacyjnego przy użyciu pokrętła „K5”. Nacisnąć pokrętło „K5”, aby potwierdzić. Pozycję otwarcia kominka wentylacyjnego.

REGULACJA PARY

Nacisnąć przycisk pary „B2” i ustawić udział pary w gotowaniu przy użyciu pokrętła „K5”.

Nacisnąć pokrętło „K5”, aby potwierdzić ustawienie udziału pary. Regulacja pary jest 10 stopniowa. W poniższej tabeli podano udział procentowy dla danej wartości ustawienia:

Wartość	Udział pary
0	0%
1	10%
2	20%
3	30%
4	40%
5	50%
6	60%
7	70%
8	80%
9	90%
10	100%

PAROWANIE RĘCZNE

Po wciśnięciu przycisku pary „B2” wewnątrz komory pieca będzie wypelniało się parą do momentu puszczenia przycisku „B2”.

PAMIĘĆ PROGRAMÓW

Aby zaprogramować proces gotowania, nacisnąć przycisk „B5” i obracać pokrętłem „K5” w celu dokonania wyboru numeru programu. Programy wyświetlane na stałe z numerem są już zapisane w pamięci. Migający numer oznacza pusty program, dla którego można wprowadzić ustawienia.

Uruchamianie programu zapisanego w pamięci:

W celu uruchomienia programu zapisanego w pamięci nacisnąć przycisk programu „B5” i obracając pokrętłem „K5” dokonać wyboru odpowiedniego numeru. Następnie nacisnąć pokrętło „K5”, aby potwierdzić wybór. Piec uruchomi gotowanie zapisane pod wybranym numerem.

Zapisywanie do pamięci nowego programu:

W celu zapisania nowego programu w pamięci nacisnąć przycisk programu „B5” i obracając pokrętłem „K5” dokonać wyboru pierwszego numeru, który miga. Następnie nacisnąć pokrętło „K5”, aby potwierdzić, że pod tym numerem chcemy zapisać nowy program gotowania. Teraz można wprowadzić ustawienia dla pierwszego kroku (temperatura, czas, funkcja pary itp.). Zapali się pierwsza lampka kontrolna „L6” oznaczona na panelu jako „C1”. Nacisnąć przycisk programu „B5” i przejść do drugiego kroku (lampka „C2”). Wprowadzić ustawienia dla drugiego kroku (temperatura, czas, funkcja pary itp.). Nacisnąć przycisk programu „B5” i przejść do trzeciego kroku (lampka nr „C3”). Wprowadzić ustawienia dla trzeciego kroku (temperatura, czas, funkcja pary itp.). Nacisnąć przycisk programu „B5” i przejść do czwartego kroku (wszystkie trzy lampki zapalone). Wprowadzić ustawienia dla czwartego kroku (temperatura, czas, funkcja pary itp.). Nacisnąć i przytrzymać przycisk programu „B5” przez 5 sekund do momentu pojawienia się napisu „MEM” informującego o zapisaniu programu.

W przypadku wyboru tylko 1 kroku lub 2 kroków, po ustawieniu temperatury, czasu, funkcji pary itp., nacisnąć i przytrzymać przycisk programu „B5” przez 5 sekund do momentu pojawienia się napisu „MEM” informującego o zapisaniu programu.

POWRÓT DO TRYBU RĘCZNEGO

Aby wyjść z funkcji programów i powrócić do ręcznego trybu ustawiania parametrów gotowania **MANUAL**, przytrzymać pokrętło „K5” do momentu pojawienia się na wyświetlaczu napisu „MAN” (ustawienia manualne = ręczne).



NAGRZEWANIE „PRE-HEATING”

Funkcja polega na rozgrzewaniu komory pieca do temperatury wyższej od żądanej o 20%. Nagrzewanie służy do skompensowania strat ciepła na skutek otwarcia drzwiczek pieca podczas wklładania produktów. W celu włączenia funkcji „PRE-HEATING” nacisnąć przycisk programu „B5” i obracając pokrętką „K5” dokonać wyboru pierwszego numeru, który miga. Następnie nacisnąć pokrętkę „K5”, aby potwierdzić wybór programu. Wybrano pierwszy krok cyklu pracy. Nacisnąć przycisk czasu „B4” i obracając pokrętką „K5” wybrać „infin” (nieokreślony czas pracy pieca). Nacisnąć pokrętkę „K5” aby potwierdzić. Następnie można wybrać inny krok zgodnie z poprzednimi instrukcjami i zapisać ustawienia w pamięci. Piec zacznie nagrzewać się do momentu osiągnięcia temperatury o 20 % wyższej niż ustawiona temperatura. Sygnał dźwiękowy oznacza koniec nagrzewania. Sygnał zostanie przerwany po otwarciu drzwiczek (w celu włożenia produktów do pieca). Rozpocznie się ustawiony krok.

Sygnał dźwiękowy może zostać wyłączony bez uruchamiania kroku lub z pominięciem nagrzewania przez naciśnięcie przycisku START/STOP.

REGULACJA PRĘDKOŚCI „B11”

Aby ustawić prędkość wentylatora, nacisnąć przycisk „B11” i przy użyciu pokrętki „K5” dokonać wyboru prędkości minimalnej lub maksymalnej. Na wyświetlaczu pojawi się napis „min” lub „max”. Nacisnąć pokrętkę „K5”, aby potwierdzić wybór.

START/STOP „B10”

Przycisk „B10” służy do uruchomienia/zatrzymania poprzednio ustawionego lub wybranego programu gotowania.

POKRĘTKO „K5”

Pokrętko „K5” obraca się w prawo i w lewo, odpowiednio zwiększając lub zmniejszając wartość parametru podawaną na wyświetlaczu. Nacisnąć pokrętkę „K5” w celu zatwierdzenia ustawionej (migającej) wartości parametru.

GNIAZDO PODŁĄCZENIA SONDY „C1”

Gniazdo do podłączenia sondy. W gotowaniu z użyciem sondy nie można nastawić czasu gotowania. Proces gotowania nie zostanie zakończony do mo-

mentu osiągnięcia wewnątrz produktu ustawionej temperatury, którą mierzy umieszczona w produkcie sonda.

AUTOMATYCZNE STUDZENIE KOMORY PIECA

Aby automatycznie zmniejszyć temperaturę w komorze pieca, nacisnąć przycisk „B7” i przy użyciu pokrętki „K5” zmniejszyć temperaturę do żądanej wartości. Otworzyć drzwiczki i nacisnąć pokrętkę „K5”, aby potwierdzić. Temperatura w piecu zostanie niezwłocznie obniżona.

AUTOMATYCZNE CZYSZCZENIE

System czyszczenia jest w pełni automatyczny. Wystarczy wybrać odpowiedni program.

Gdy panel sterowania jest wyłączony, nacisnąć pokrętkę „K5”.

Na wyświetlaczu pojawi się **CLN_01**. Wybrać odpowiednią funkcję obracając pokrętkę „K5”.

Ponownie nacisnąć pokrętkę „K5” i uruchomić program.

CLN_01: KRÓTKI cykl czyszczenia (45 minut).

CLN_02: ŚREDNI cykl czyszczenia (56 minut).

CLN_03: DŁUGI cykl czyszczenia (65 minut).

CHR_____: uzupełnianie środka czyszczącego (3 minuty).

Napętnianie pompy środka czyszczącego należy przeprowadzić za pomocą programu „CHR” w następujących przypadkach:

- podczas pierwszego uruchomienia pieca po instalacji,
- po wyczerpaniu środka czyszczącego w zbiorniku.
- po dłuższej przerwie w użytkowaniu pieca.

WAŻNA INFORMACJA

UWAGA: Aby zagwarantować poprawne działanie układu czyszczenia, przed uruchomieniem programu czyszczenia (CLN_01, CLN_02, CLN_03) należy upewnić się, że temperatura w piecu wynosi od 90°C do 140°C. Wyższe temperatury są ZABRONIONE, mogą uszkodzić piec!

Środek czyszczący przeznaczony jest do czyszczenia profesjonalnych pieców. Nie używać do innego celu. Naruszenie tego postanowienia oznacza stosowanie niezgodne z przeznaczeniem i stwarza zagrożenie.

Przed uruchomieniem cyklu czyszczenia należy upewnić się, że odpływ wody na dnie komory pieca jest czysty, aby zapobiec zalaniu komory.

Nigdy nie otwierać drzwiczek pieca w trakcie trwania cyklu, ponieważ wydostające się substancje chemiczne i gorące opary mogą spowodować oparzenia i wywołać korozję.

Na koniec każdego cyklu czyszczenia należy upewnić się, że cały środek czyszczący został usunięty z komory pieca. W razie konieczności ręcznie usu-

nąć pozostały środek i przemyć.

Zalecany środek czyszczący został dopuszczony przez producenta.

Stosowanie innych środków czyszczących może spowodować uszkodzenie układu czyszczenia i naruszyć integralność komory pieca (utrata gwarancji).

8.1 OSTRZEŻENIA I ALARMY

Informacja o alarmie podawana jest w formie sygnału dźwiękowego. Aby wyłączyć brzęczyk, nacisnąć przycisk.

Er1 – alarm termostatu temperatury komory pieca

Alarm zostaje uruchomiony po wystąpieniu błędu termostatu komory pieca. Wszystkie funkcje są nieczynne, działa tylko oświetlenie. Bieżący cykl pracy zostanie przerwany.

Er2 – alarm sondy

Alarm zostaje załączony w przypadku błędu sondy włożonej w produkt (jeśli sonda jest w użyciu). Wszystkie funkcje są nieczynne, działa tylko oświetlenie. Bieżący cykl pracy zostanie przerwany.

ALL – alarm silnika i wentylatora komory pieca

Alarm zostaje uruchomiony w przypadku przegrzania silnika. Wszystkie funkcje są nieczynne, działa tylko oświetlenie. Bieżący cykl pracy zostanie przerwany.

Po wyłączeniu alarmu dźwiękowego nacisnąć ON/OFF na czas jednej sekundy, aby skasować alarm (panel kontrolny zostaje wyłączony).

H-t - alarm przegrzania elementów sterujących

Alarm zostaje uruchomiony w przypadku przegrzania płytki układu sterowania. Bieżący cykl pracy zostanie przerwany.

Po wyłączeniu alarmu dźwiękowego nacisnąć ON/OFF na czas jednej sekundy, aby skasować alarm (panel kontrolny zostaje wyłączony).

9. DANE TECHNICZNE

Model pieca z panelem mechanicznym	223819	223130	223116	223093	223734
Pojemność komory	5x GN 2/3	5x GN 1/1	7x GN 1/1	12x GN 1/1	20x GN 1/1
Odległość pomiędzy prowadnicami	67 mm	67 mm	67 mm	67 mm	67 mm
Wymiary zewnętrzne	700x714 x(H)628 mm	920x834 x(H)699 mm	920x834 x(H)859 mm	920x834 x(H)1195 mm	1050x940 x(H)1900 mm
Ilość wentylatorów z rewersem	1	2	2	3	4
Termostat elektromechaniczny	+30°C do +285°C	+30°C do +285°C	+30°C do +285°C	+30°C do +285°C	+30°C do +285°C
Sonda	NIE	NIE	NIE	NIE	NIE
Moc	5,4 kW	13,8 kW	13,8 kW	19,1 kW	28,5 kW
Napięcie	400 V	400 V	400 V	400 V	400 V
Waga netto	64 kg	103 kg	117 kg	151 kg	250 kg



Model pieca z panelem elektronicznym	223802	223123	223109	223086	223727
Pojemność komory	5x GN 2/3	5x GN 1/1	7x GN 1/1	12x GN 1/1	20x GN 1/1
Odległość pomiędzy prowadnicami	67 mm	67 mm	67 mm	67 mm	67 mm
Wymiary zewnętrzne	700x714 x(H)628 mm	920x834 x(H)699 mm	920x834 x(H)859 mm	920x834 x(H)1195 mm	1050x940 x(H)1900 mm
Ilość wentylatorów z rewersem	1	2	2	3	4
Termostat elektromechaniczny	+30°C do +260°C	+30°C do +260°C	+30°C do +260°C	+30°C do +260°C	+30°C do +260°C
Sonda	TAK	TAK	TAK	TAK	TAK
Moc	5,4 kW	13,8 kW	13,8 kW	19,1 kW	28,5 kW
Napięcie	400 V	400 V	400 V	400 V	400 V
Waga netto	64 kg	103 kg	117 kg	151 kg	250 kg





Hendi Polska Sp. z o.o.

ul. Magazynowa 5

62-023 Gądki, Poland

Tel: +48 61 6587000

Fax: +48 61 6587001

Email: info@hendi.pl

www.grafen.com

Changes, printing and typesetting errors reserved.

Producent zastrzega sobie prawo do zmian oraz błędów drukarskich w instrukcji.